

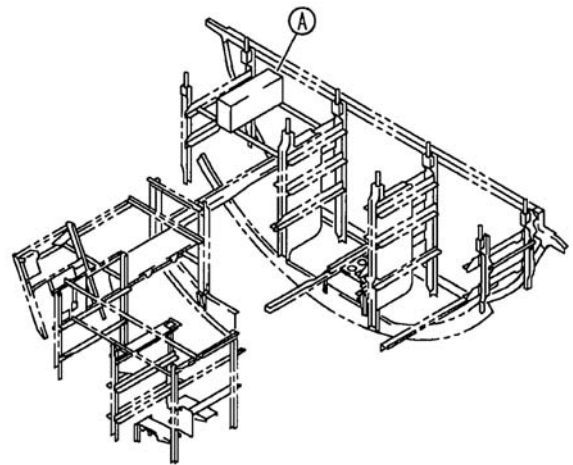
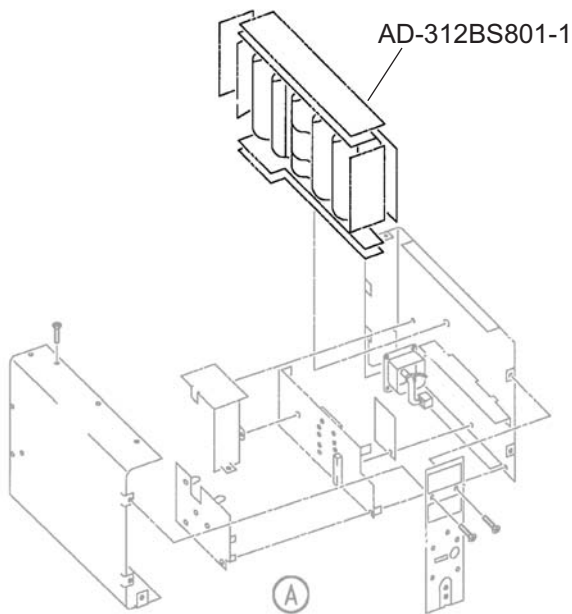
## BATTERY

**Aero Design Part Number AD-312BS801-1**  
Acme Electric Corp. Part Number 312BS801-1  
[Next Higher Assembly: 312BS101-1](#)  
[- ISFD Dedicated Battery Charger](#)

**Eligibility:**  
[See FAA-PMA Supplement](#)

**IPC Reference:**  
34-24

**Quantity:**  
Up to 1



**Location:**  
Equipment Instl-  
Integrated Stby Flight Display Battery Chgr