

HEICO

SHELL BACK

Aero Design Part Number: AD-285W0096-11B

BAE System Part Number: 285W0096-11B

Next Higher Assembly Part Number: 285W0024 - Handset Module Assembly

Eligibility:

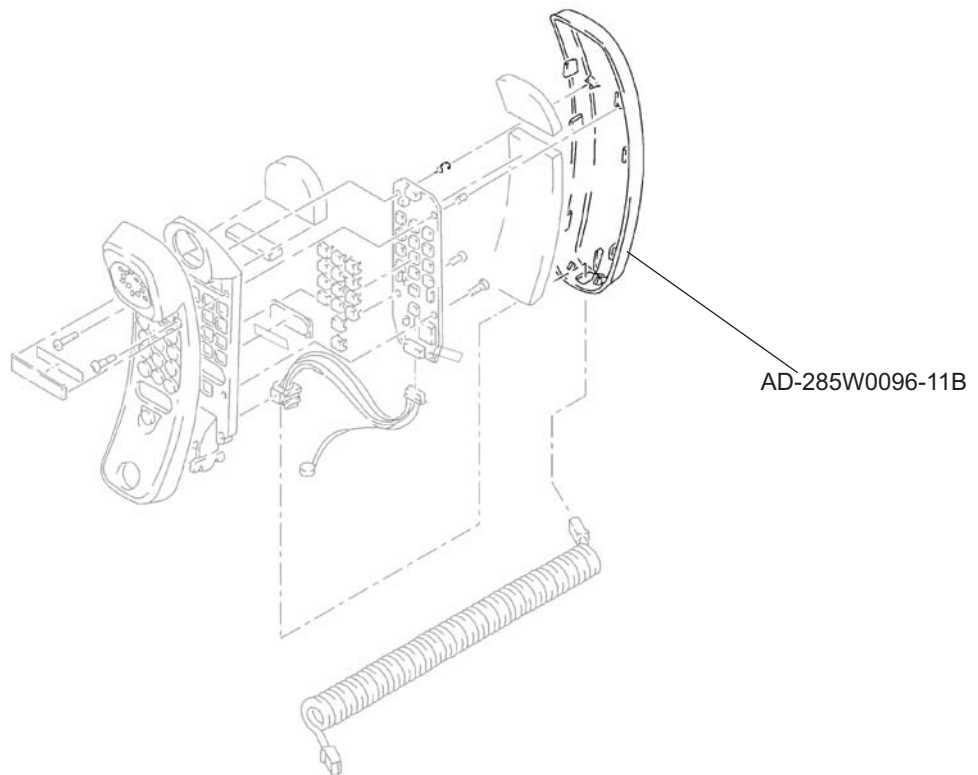
[See FAA PMA Supplement](#)

IPC Reference:

23-42

Quantity:

1 per NHA



Location:

Cabin Attendant/Flight Deck Handset
Module Assembly