

HEICO

SHELL FRONT

Aero Design Part Number: AD-285W0096-10B

BAE System Part Number: 285W0096-10B

Next Higher Assembly Part Number: 285W0024 - Handset Module Assembly

Eligibility:

[See FAA PMA Supplement](#)

IPC Reference:

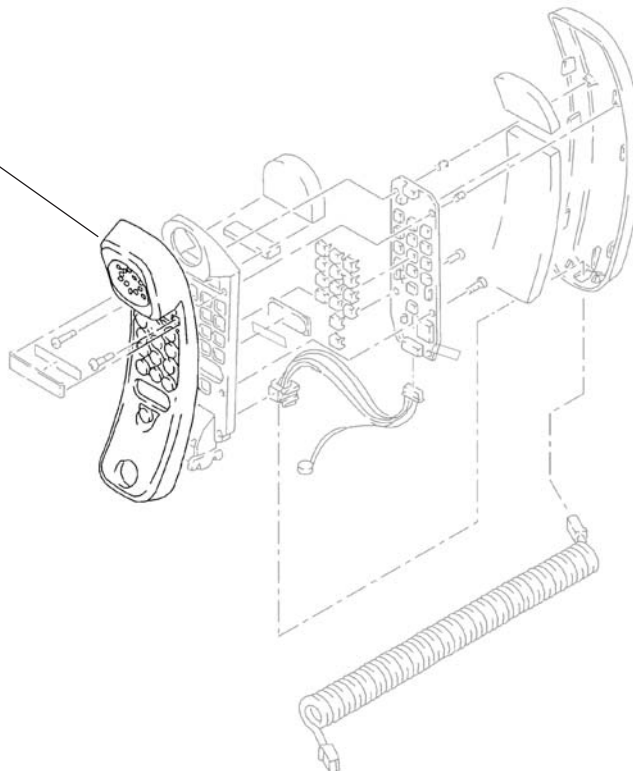
23-42

Quantity:

1 per NHA



AD-285W0096-10B



Location:

Cabin Attendant/Flight Deck Handset
Module Assembly