

SET SCREW

Aero Design Part Number AD-20093-505

Adams Rite Aerospace Part Number 20093-505

Next Higher Assembly : 9810, 9810-3, -5, -7, -9, -11, -13, -21, -23, -25, -27, -29, -31, -101, -103, 9824, 9824-3, -5 - Mechanically Timed Faucet Assembly

Eligibility:

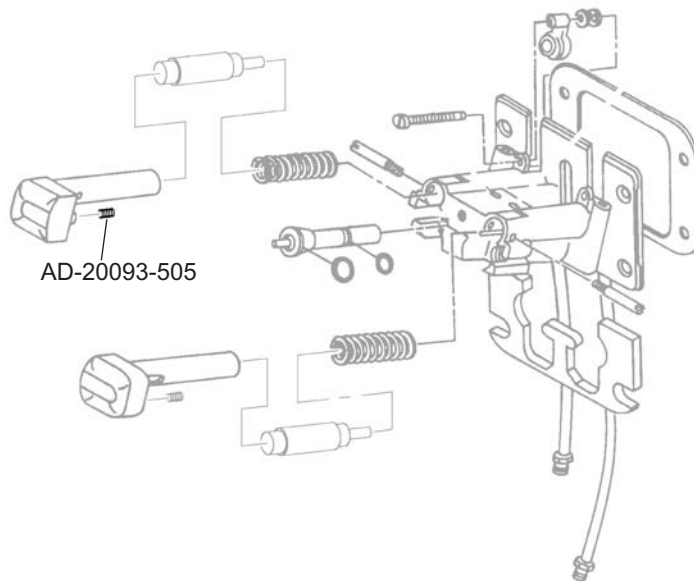
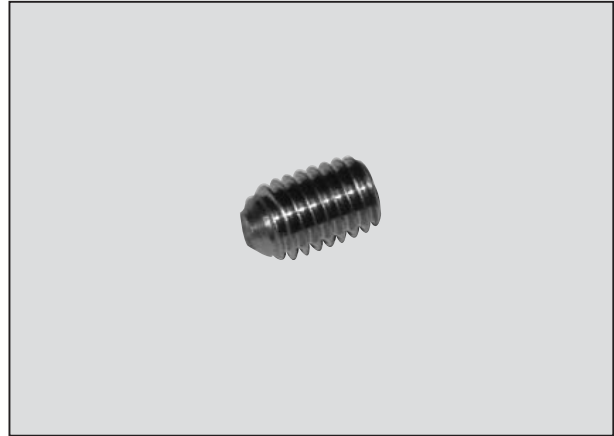
[See FAA-PMA Supplement](#)

IPC Reference:

38-10
38-11
38-12
38-20

Quantity:

2 per NHA



Location:

Faucet Assy-Mechanically Timed, Lav