

BATTERY, AIRCRAFT

Aero Design Part Number AD-1152112-2
Honeywell Part Number 1152112-2

Eligibility:

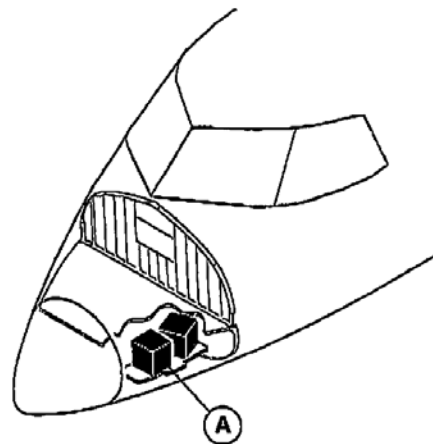
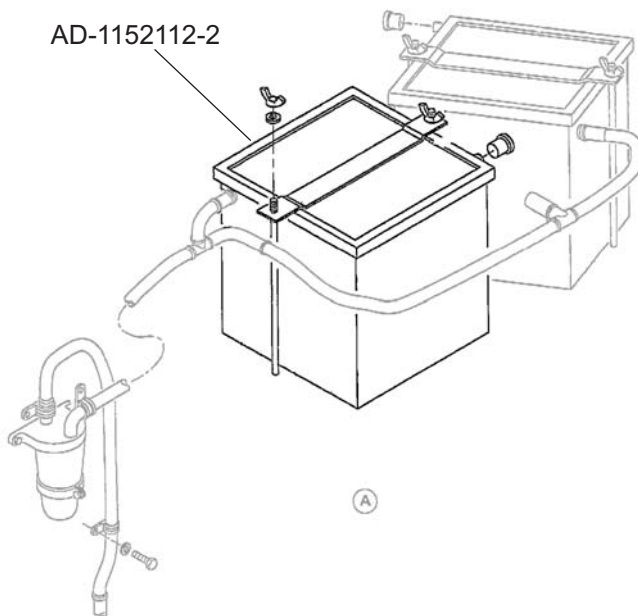
[See FAA-PMA Supplement](#)

IPC Reference:

24-32
24-34

Quantity:

Upto 2



Location:

Main and Auxiliary Battery and
Box Installation