

ARMCAP ASSEMBLY, LH & RH

Seal Dynamics Part Number 950007506001GSD, 950007506002GSD

Sicma Aero Seat Part Number 95-000750-600-1G, 95-000750-600-2G

Next Higher Assembly Part : 9521-166, -168, -170, -172, -174, -176, -178, -180, -182, -184, -186, -188, -387, -389
9521-165, -167, -169, -171, -173, -175, -177, -179, -181, -183, -185, -187, -388, -386
- Armrest Assembly, LH & RH

Eligibility:

[See FAA-PMA Supplement](#)

IPC Reference:

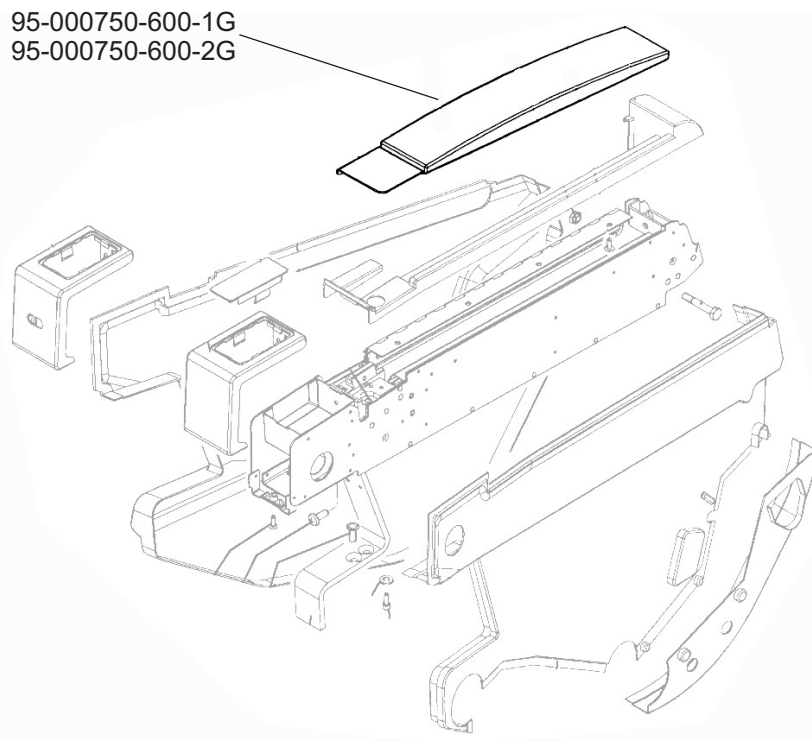
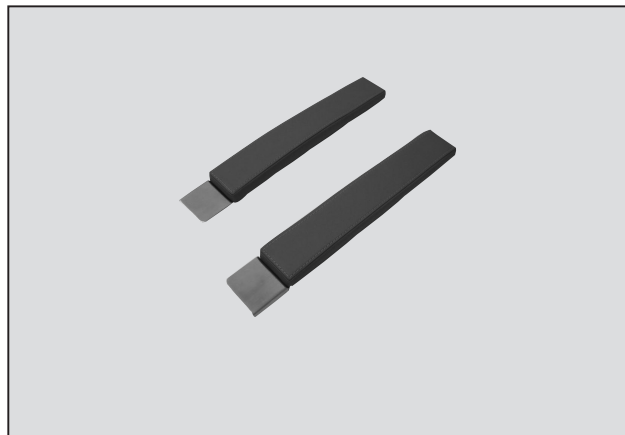
A319-25-26

A320-25-26

A340-25-26

Quantity:

1



Location:

IAT Lateral Armrest Assy.