

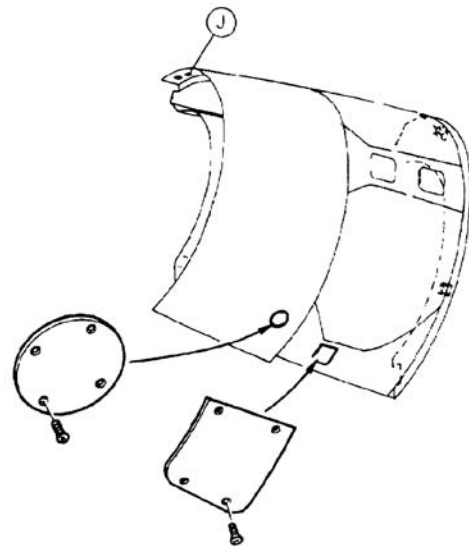
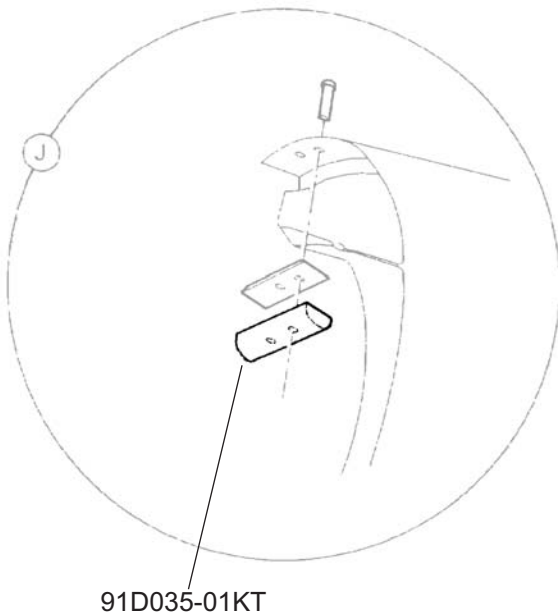
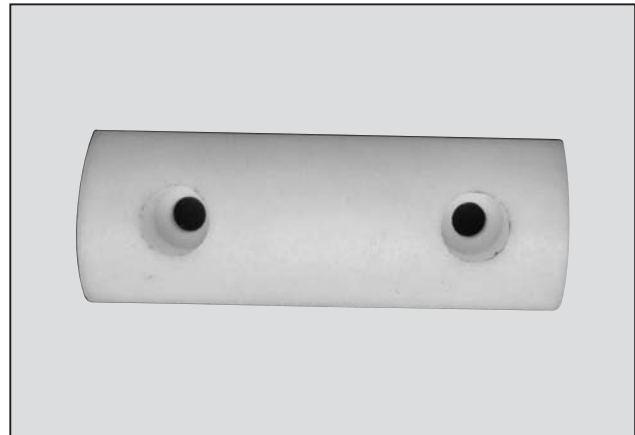
BLOCK, TR-CNA

Turbine Kinetics Part Number 91D035-01KT
Aircelle, Safran Group Part Number 91D035-01

Eligibility:
[See FAA-PMA Supplement](#)

IPC Reference:
RB211-78-30
RB211-78-33

Quantity:
From 1 to 39



Location:
Fan Thrust Reverser C Duct Structure - RH