

SEAL, PYLON

Turbine Kinetics Part Number 91B803-52KT

Aircelle, Safran Group Part Number 91B803-52

[Next Higher Assembly Part Number: 91A250-01, 91A250-05 thru -17](#)
[- Fixed Structure C-Duct](#)

Eligibility:

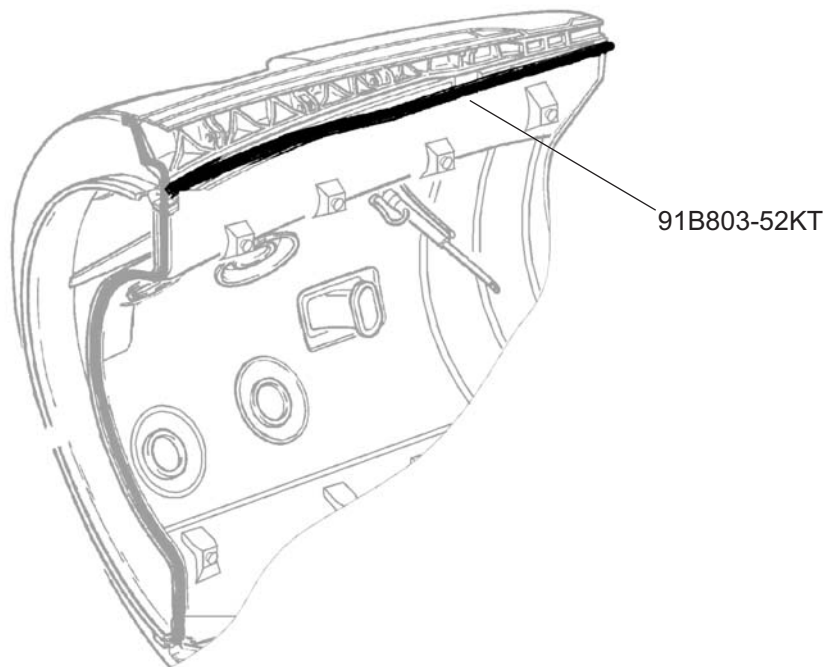
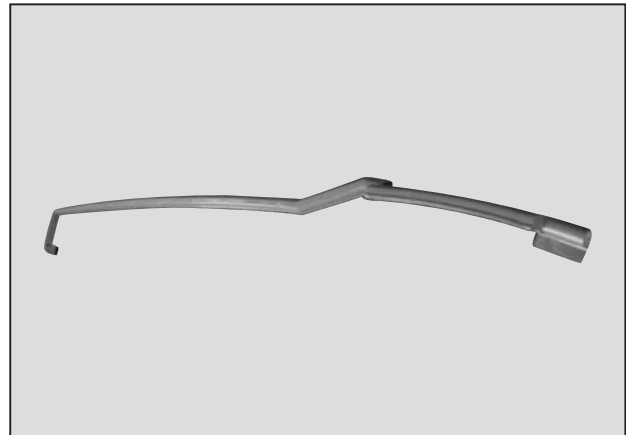
[See FAA/PMA Supplement](#)

IPC Reference:

RB211-78-30

Quantity:

1



Location:

RH C-Duct Structure