

# HEICO

## SEAL, ASSY PRECOOLER

Turbine Kinetics Part Number: 91B065-01DEC

Rolls-Royce Part Number: 91B065-01

Next Higher Assembly Part Number: 91A330-14 - C Duct Fixed Structure - LH

### Eligibility:

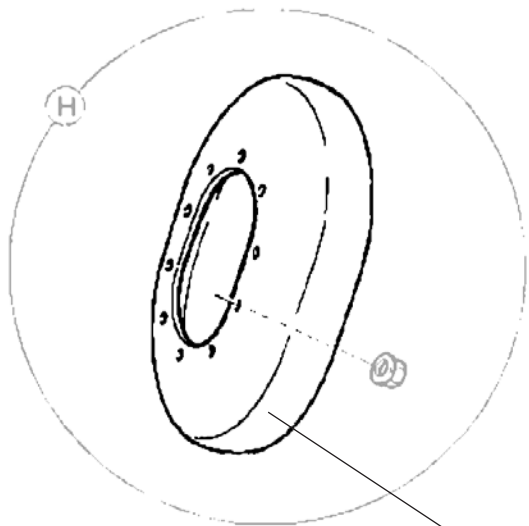
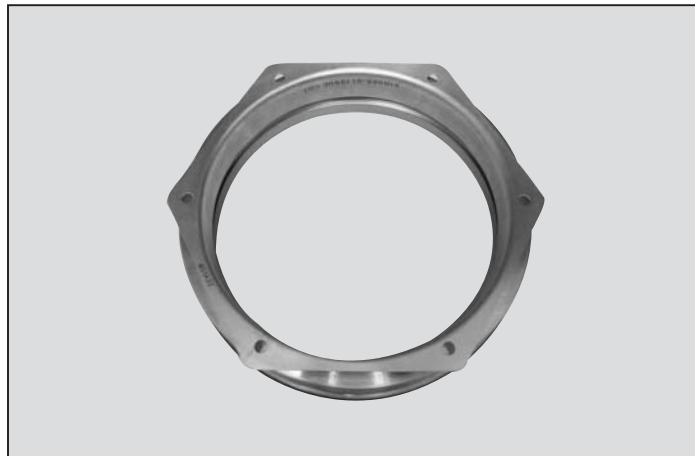
See FAA PMA Supplement

### IPC Reference:

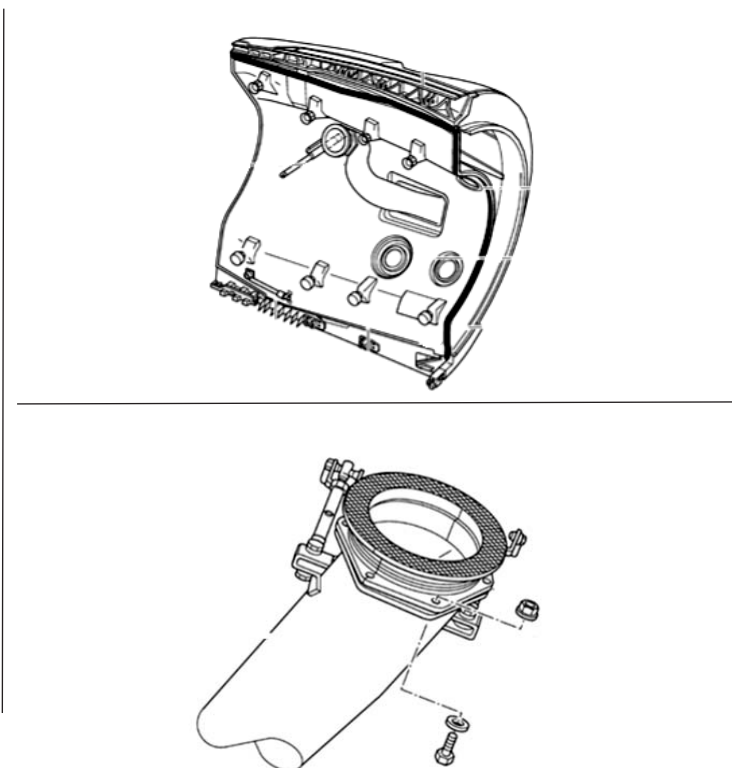
RB211-78-33

### Quantity:

1 per Engine



91B065-01DEC



### Location:

Fan Thrust Reverser  
C Duct Structure - LH