

HEICO

RING, SEAL

Turbine Kinetics Part Number: 9116A0012-01KT

Liebherr Part Number: 9116A0012-01

Next Higher Assembly Part Number: 1806A0100-01, -02, 1806B0100-01, -02, -03 - Flap Unit, Assy

Eligibility:

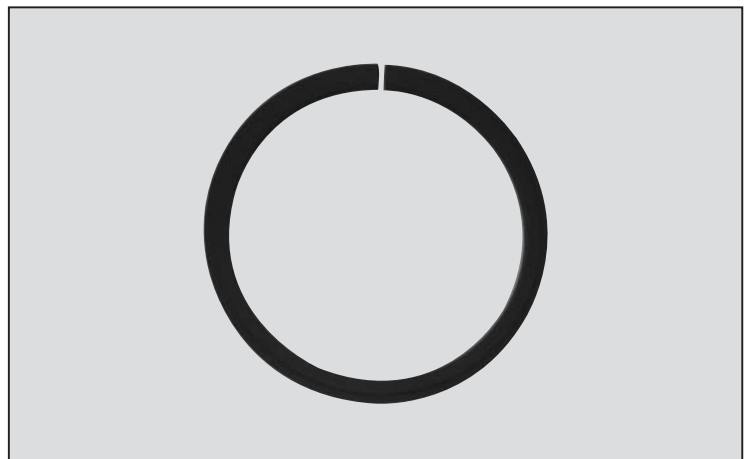
[See FAA PMA Supplement](#)

IPC Reference:

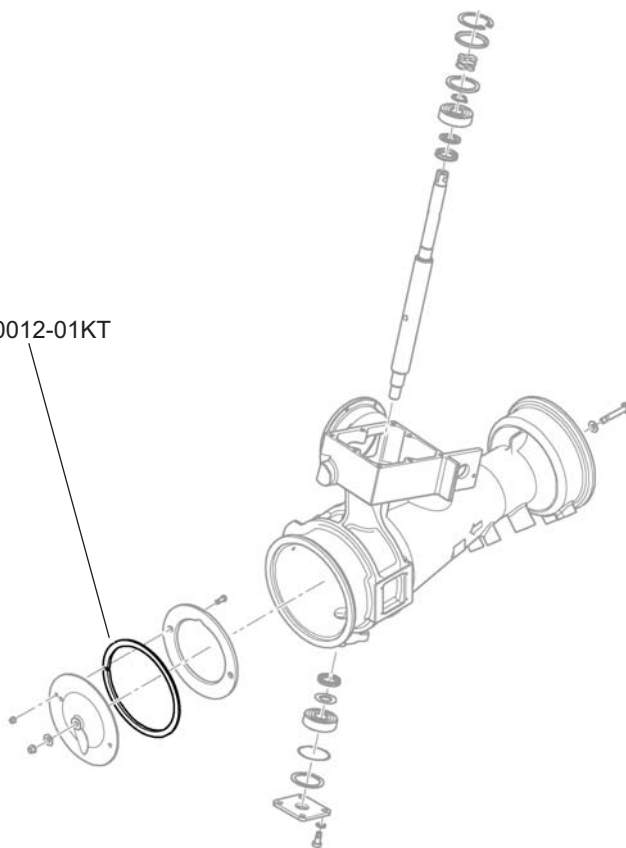
A318-21-51, A319-21-51
A320-21-51, A321-21-51
A321-29-23, A321-38-31
747-21-25

Quantity:

1 per Aircraft



9116A0012-01KT



Location:

Valve Body