

# HEICO

## LATCH ASSEMBLY

Turbine Kinetics Part Number: 91049-18DEC

Avibank Mfg. Inc. Part Number: 91049-18

Next Higher Assembly Part Number: 313T3340-xx - Access Door Assembly

**Eligibility:**

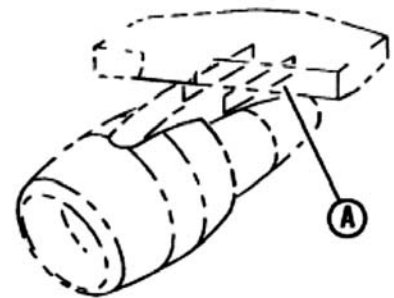
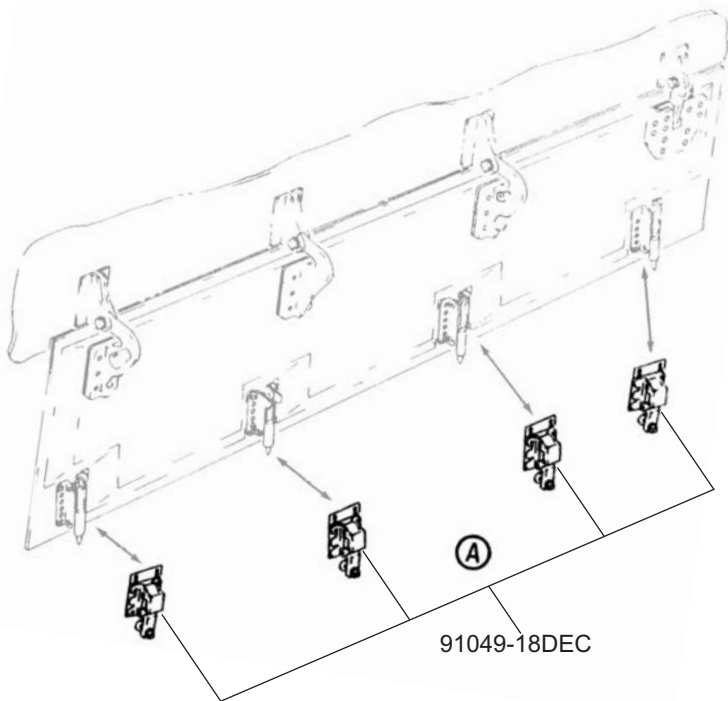
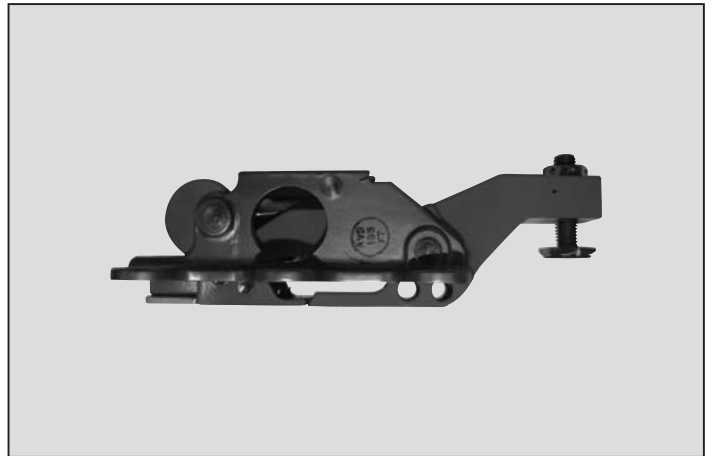
See FAA PMA Supplement

**IPC Reference:**

B767-54-53

**Quantity:**

As required



**Location:**

Door Instl-Aft Fairing Strut Access