

## SLEEVE

Seal Dynamics Part Number 815113EXT6SD, 815113EXT7SD, 815113EXT8SD

Hamilton Sundstrand Part Number 815113-6, 815113-7, 815113-8

[Next Higher Assembly Part : 816626-2, 816636-2](#)

[- Environment Control Unit](#)

**Eligibility:**

[See FAA-PMA Supplement](#)

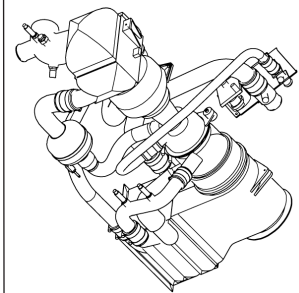
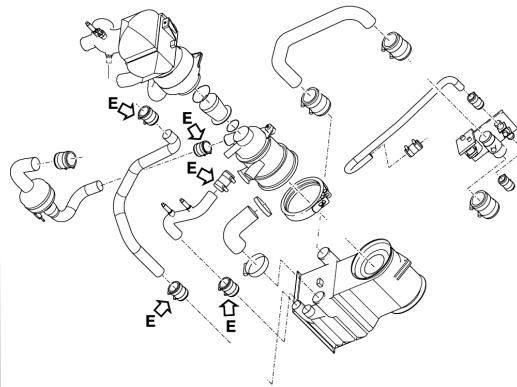
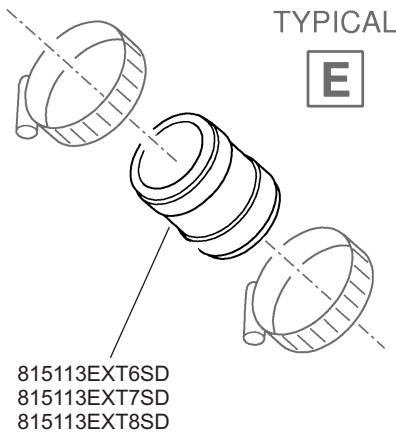
**IPC Reference:**

EMB 135-21-51

EMB 145-21-51

**Quantity:**

From 3 to 5



**Location:**

Environmental Control Unit Assy, LH/RH