

HEICO

DUCT

Seal Dynamics Part Number: 814852-3SD

Hamilton Sundstrand Part Number: 814852-3

Next Higher Assembly Part Number: 816636-2, 816626-2 - Environmental Control Unit RH & LH

Eligibility:

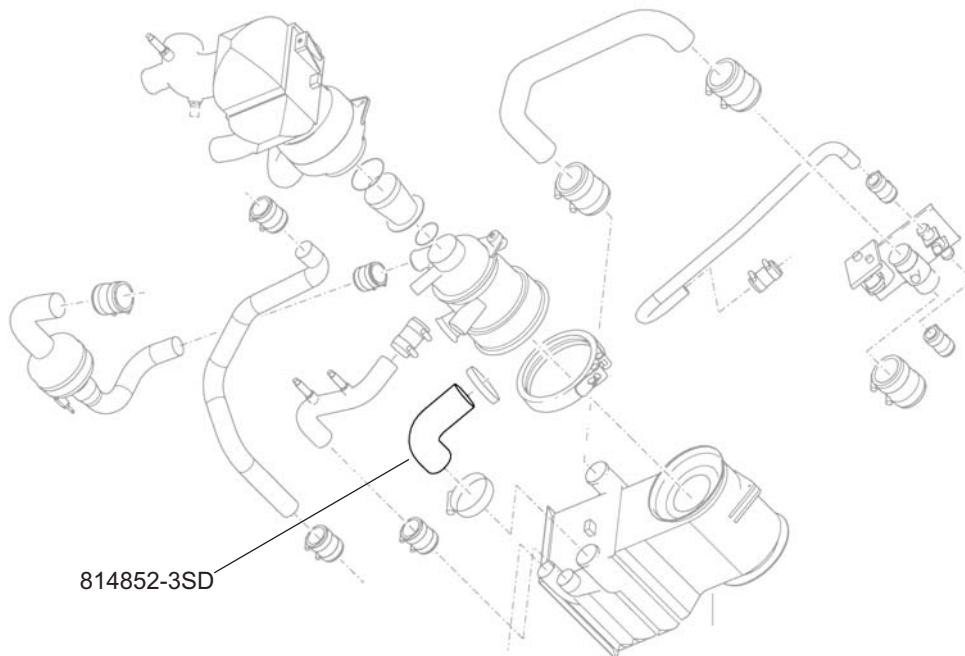
[See FAA PMA Supplement](#)

IPC Reference:

21-51

Quantity:

1



Location:

Environmental Control Unit Assy, LH/RH