

SPRING, HELICAL COMPRESSION

Flight Specialties Part Number 808756-1FS

Hamilton Sundstrand Part Number 808756-1

[Next Higher Assembly Part Number: 790270-1,-2,-3,-4,-5,-6, 802170-1,-2,-3,-4,-5,-9,-10
- High Pressure Shutoff Valve](#)

Eligibility:

[See FAA/PMA Supplement](#)

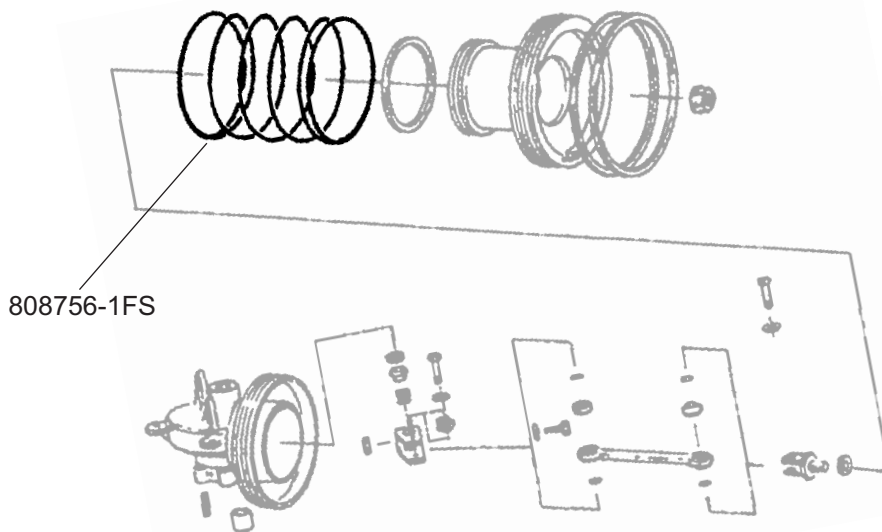
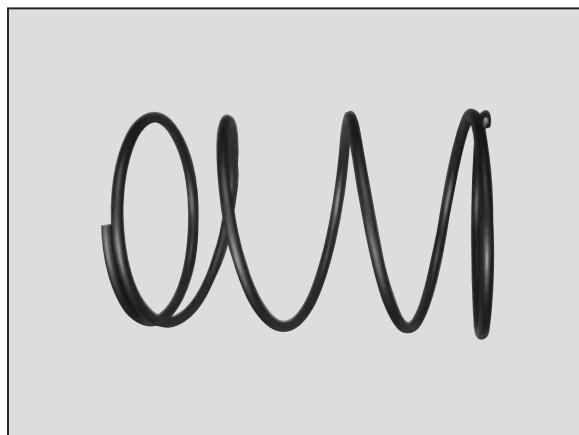
IPC Reference:

B747-36-12

B767-36-11

Quantity:

As required



Location:

High Pressure Bleed and
Actuator Assembly