

## WASHER

Seal Dynamics Part Number 80-702SD

Goodrich Part Number 80-702

[Next Higher Assembly : 3-1428](#)

[- Wheel Assy-MLG](#)

**Eligibility:**

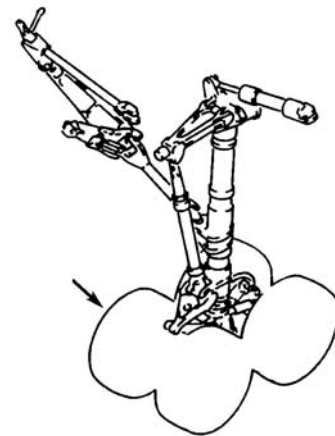
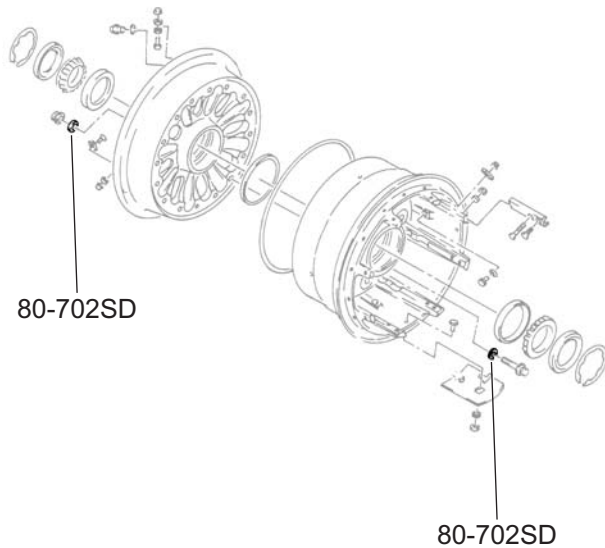
[See FAA-PMA Supplement](#)

**IPC Reference:**

B757-32-45

**Quantity:**

32



**Location:**

Wheel and Tire Assy-MLG