

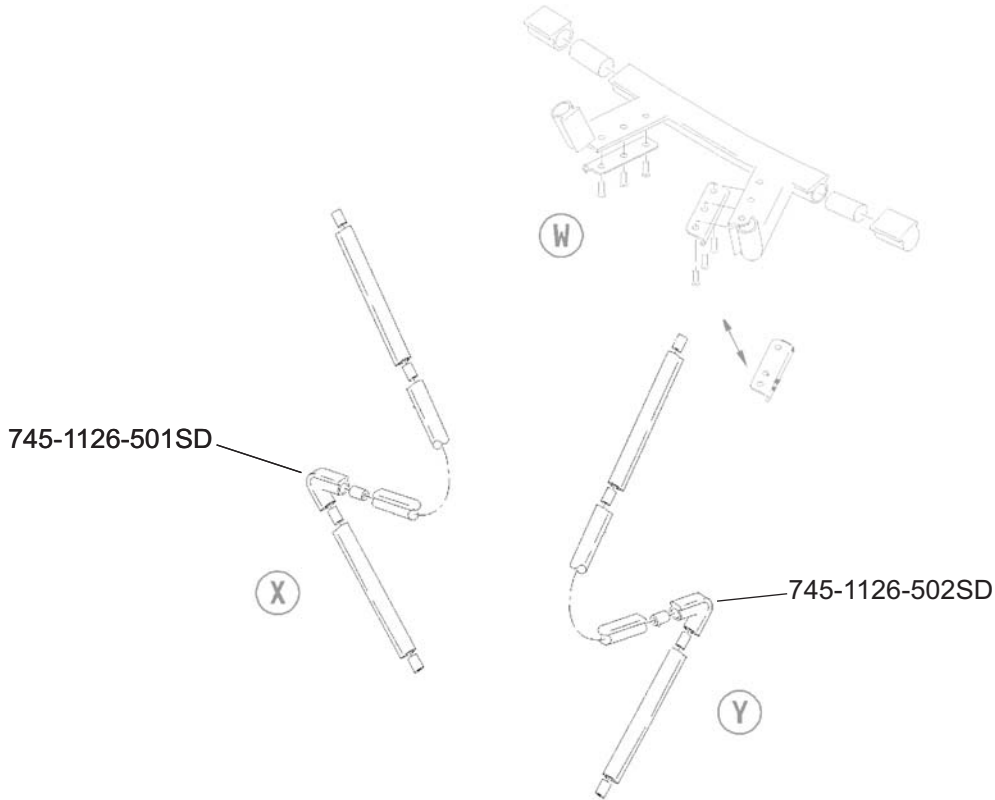
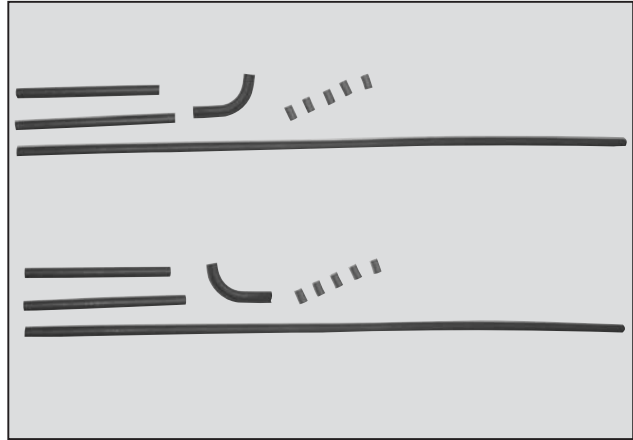
## SEAL ASSEMBLY-LH, RH

Seal Dynamics Part Numbers 745-1126-501SD, -502SD  
Goodrich Part Number 745-1126-501, -502  
[Next Higher Assembly Part : 745-1106-501](#)  
[- Seal Installation - Pressure](#)

**Eligibility:**  
[See FAA-PMA Supplement](#)

**IPC Reference:**  
A319-78-11  
A320-78-11  
A321-78-11

**Quantity:**  
1 each



**Location:**  
Pressure Seal Installation