

RETAINER

Turbine Kinetics Part Number 740-2050-503KT

Goodrich Part Number 740-2050-503

[Next Higher Assembly: 740-2000-513](#)

[- Mount Instl-Fwd Eng.](#)

Eligibility:

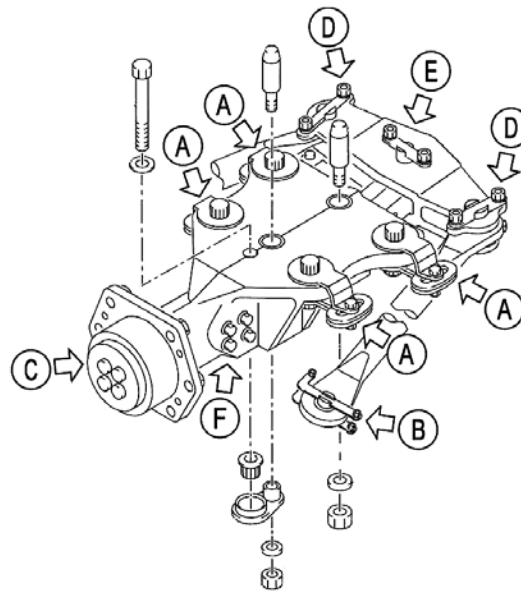
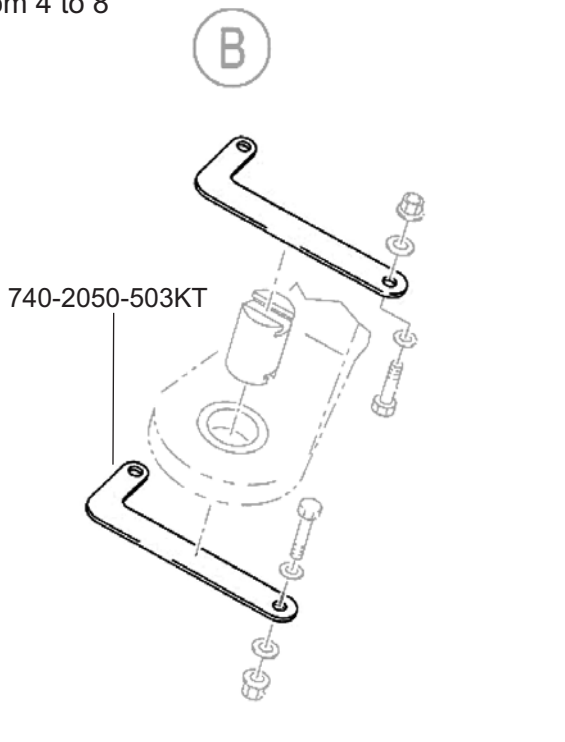
[See FAA-PMA Supplement](#)

IPC Reference:

V2500-71-21

Quantity:

From 4 to 8



Location:

Forward Engine Mount