

## RETAINER-LINK PIN

Turbine Kinetics Part Number 740-2050-501KT

Goodrich Part Number 740-2050-501

[Next Higher Assembly: 740-2040-501](#)

[- Mount Assy](#)

**Eligibility:**

[See FAA-PMA Supplement](#)

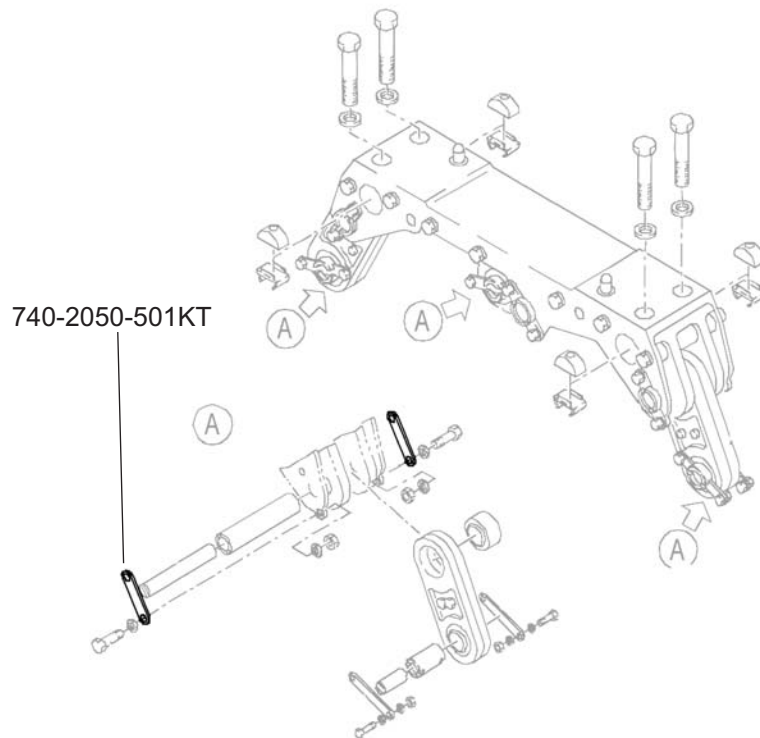
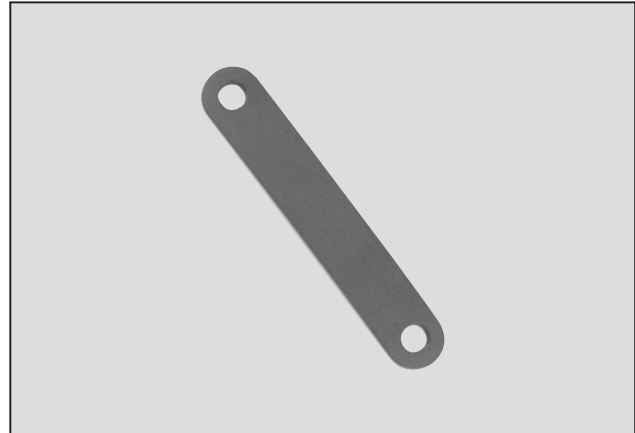
**IPC Reference:**

V2500-71-21

V2500-71-22

**Quantity:**

From 6 to 12



**Location:**

Aft Engine Mount