

HEICO

WASHER-FLAT

Turbine Kinetics Part Number: 7095-801300KT

Hamilton Sundstrand Part Number: 7095-801300

Next Higher Assembly Part Number: 717998-4, 717998-3, 717998-2 - Valve Assy-Cprsr Bypass

Eligibility:

[See FAA PMA Supplement](#)

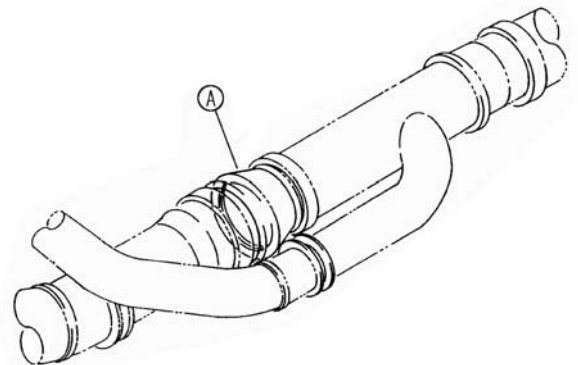
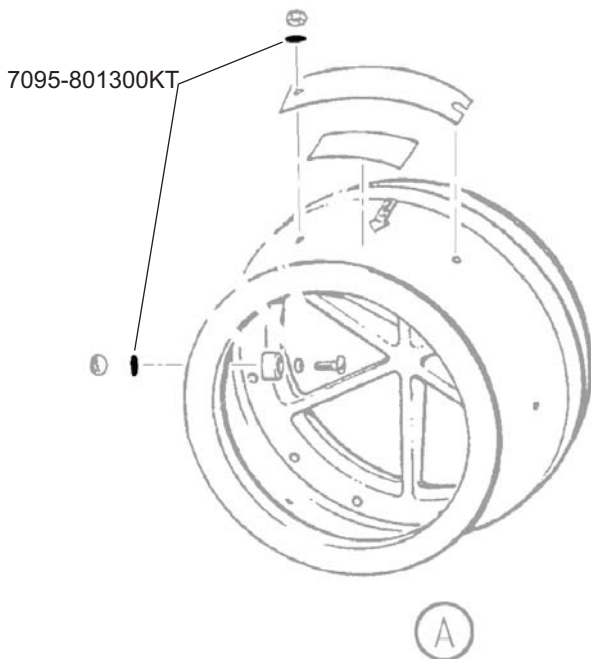
IPC Reference:

747-21-51

747-36-11

Quantity:

As required per Aircraft



Location:

Pack Instl-Air Conditioning No.1, 2, and 3
(Compressor Bypass Check Valve Only)