

HEICO

LIMITER DEFLECTION

Turbine Kinetics Part Number: 7066M26P02DEC

Middle River Aircraft Part Number: 7066M26P02

Next Higher Assembly Part Number: 9059M50G64, 9059M50G67, 491B1313000-XXX, 9152M54G08, 9078M38G06 - Structure Assy-Fixed

Eligibility:

[See FAA PMA Supplement](#)

IPC Reference:

A300-78-32, A310-78-32

747-78-31, 747-78-32

767-78-31, DC-10-78-31

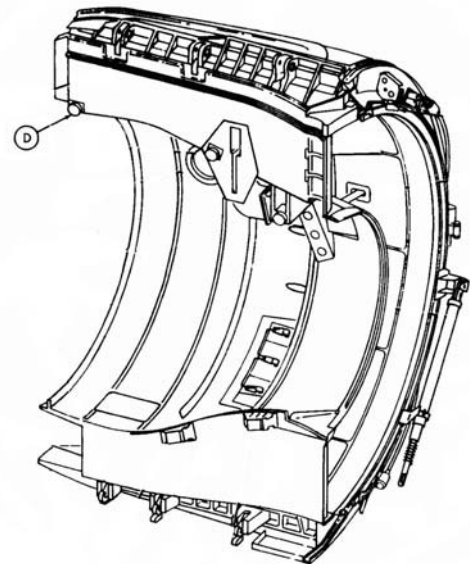
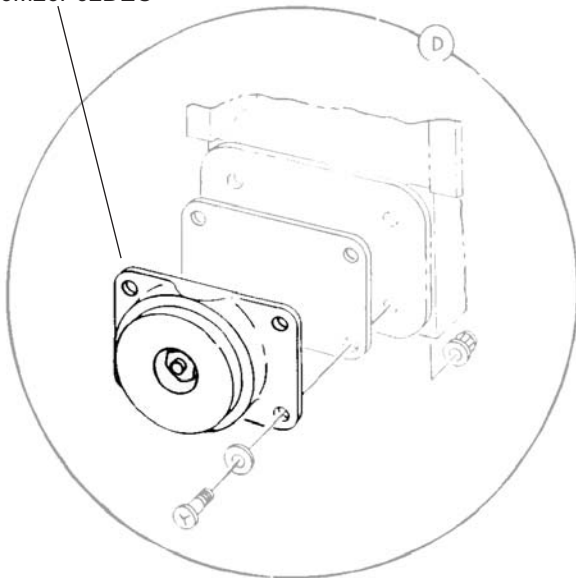
MD-10-78-31, MD-11-78-31

Quantity:

As Required



7066M26P02DEC



Location:

Fan Reverser Blocker Door

Left Hand