

HEICO

LOCATOR - GROOVE

Turbine Kinetics Part Number: 642-1024-507KT

Goodrich Part Number: 642-1024-507

Next Higher Assembly Part Number: 642-1000-1, -63, -65 - Cowl Assy

Eligibility:

[See FAA PMA Supplement](#)

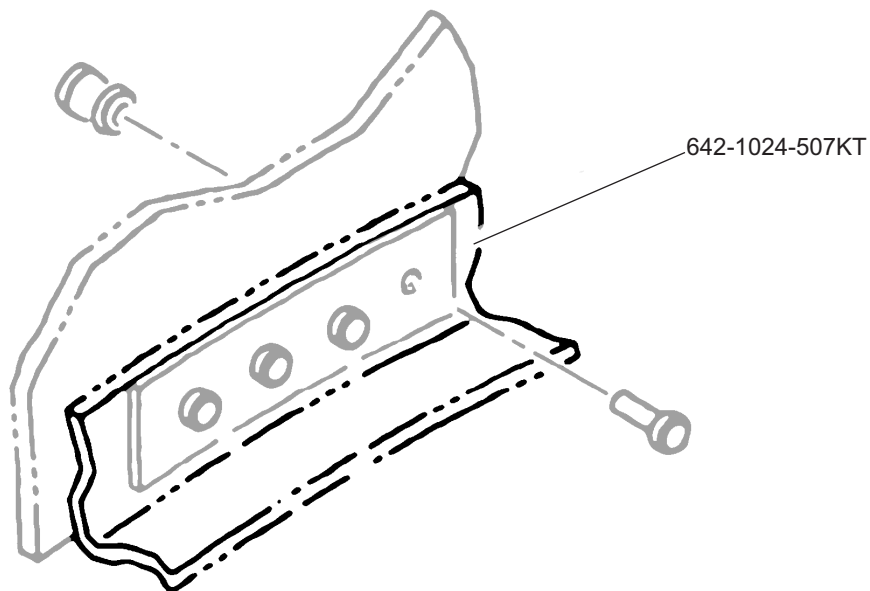
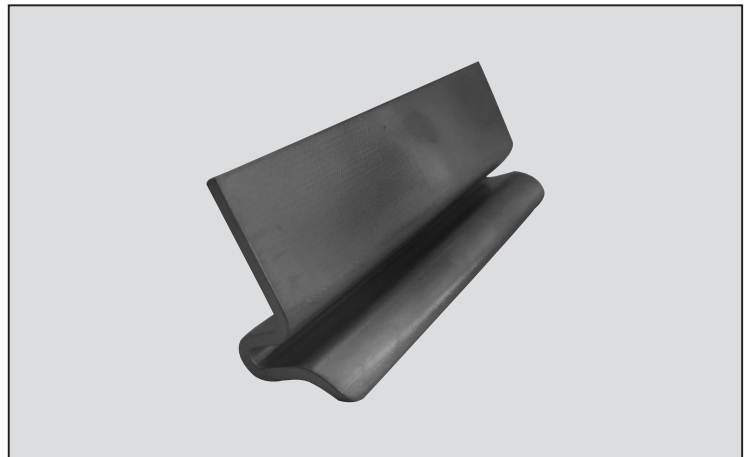
IPC Reference:

CFM56-71-00

CFM56-71-11

Quantity:

1



Location:

Cowl Assy-Air Inlet