

VALVE, DRAIN

Turbine Kinetics Part Number 600478DEC

Adams Rite Aerospace Part Number 600478

[Next Higher Assembly : 600480-1, 600480-3](#)
[- Drain Assembly](#)

Eligibility:

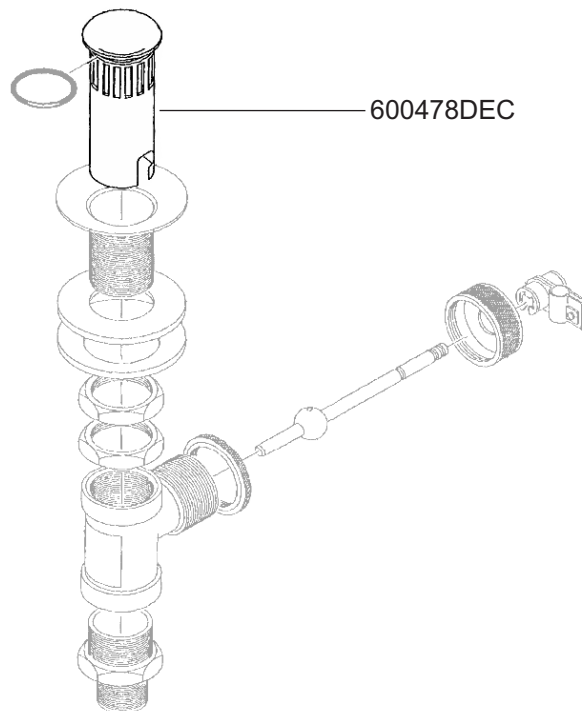
[See FAA-PMA Supplement](#)

IPC Reference:

DC-9-38-30
MD-90-38-30
B777-38-30

Quantity:

Up to 2



Location:

Drain Assy