

HEICO

CAM-UPR LCH

Turbine Kinetics Part Number: 491B1213076-003DEC

Middle River Aircraft Systems Part Number: 491B1213076-003

Next Higher Assembly Part Number: 491B1213030-039, -049, -079, -089, -119, -149, -229 - Latch Assy - Upr

Eligibility:

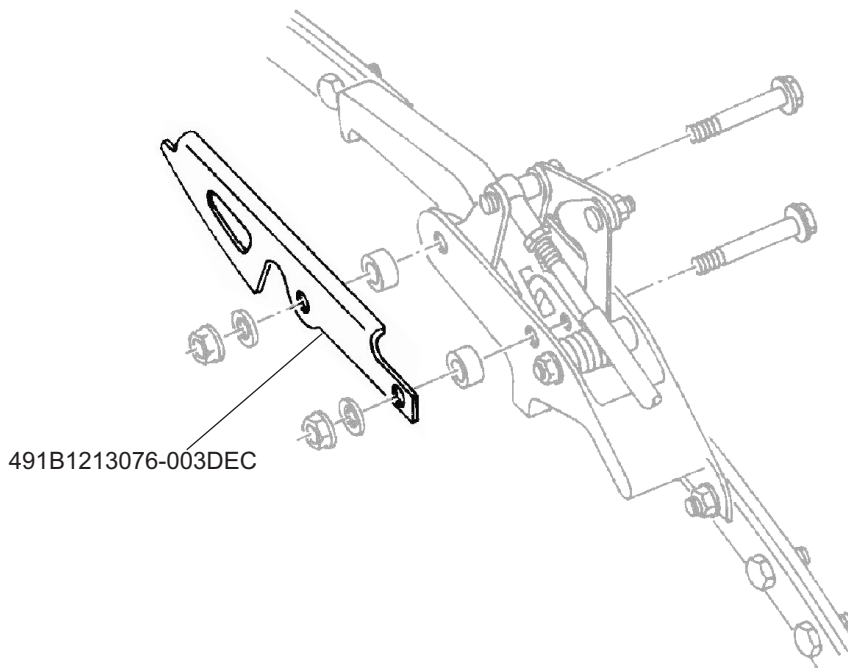
[See FAA PMA Supplement](#)

IPC Reference:

CF6-80C2-78-32

Quantity:

1 per Engine



Location:

Latch Assembly - Forward (LH)