

HEICO

CABLE-FLEX DRIVE

Turbine Kinetics Part Number: 491B1200036-002DEC

Middle River Aircraft Systems Part Number: 491B1200036-002

Next Higher Assembly Part Number: 3283094-7, 3283094-13 - Lock System - Actuation Sys

Eligibility:

[See FAA PMA Supplement](#)

[Approval For an Alternative Method of Compliance \(AMOC\)](#)

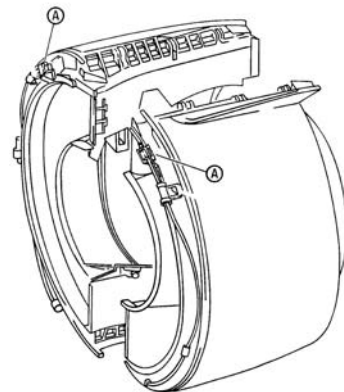
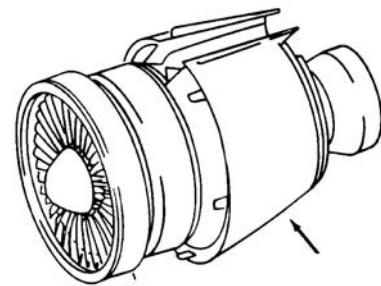
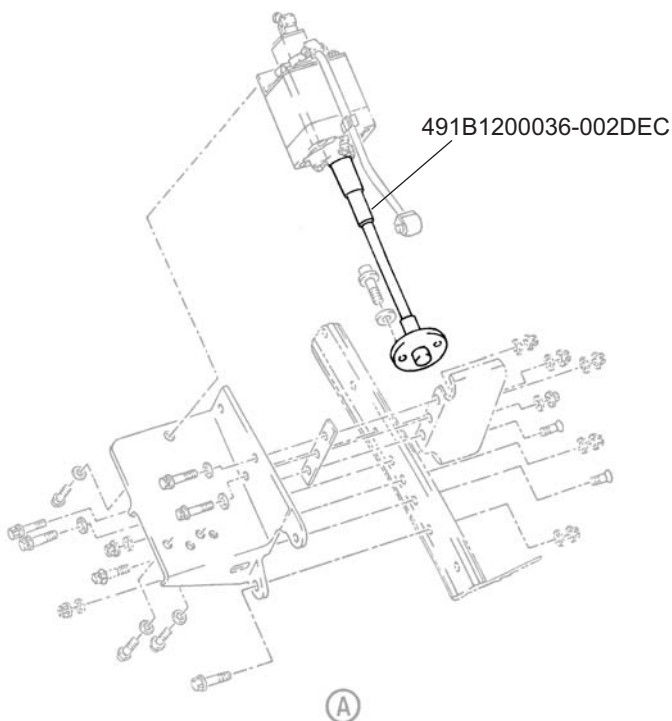
IPC Reference:

CF6-78-36

CF6-78-31

Quantity:

As required per Aircraft



Location:

Actuation System -
Fan Reverser Position 1 & Position 2