

# HEICO

## CABLE-FLEX DRIVE

**Turbine Kinetics Part Number: 491B1200036-001DEC**

**Middle River Aircraft Systems Part Number: 491B1200036-001**

Next Higher Assembly Part Number: 3283094-7, 3283094-13 - Lock System - Actuation Sys

**Eligibility:**

[See FAA PMA Supplement](#)

[Approval For an Alternative Method of Compliance \(AMOC\)](#)

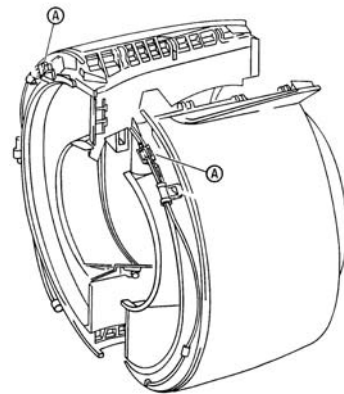
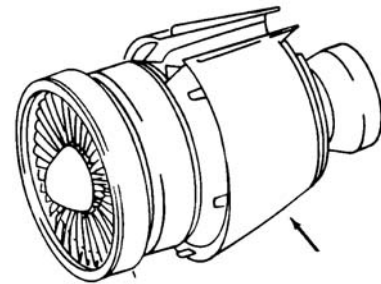
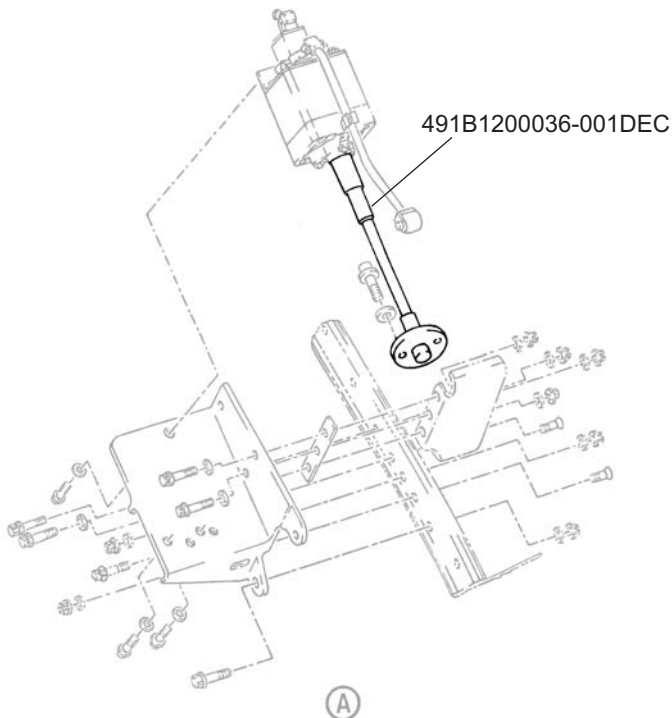
**IPC Reference:**

CF6-78-36

CF6-78-31

**Quantity:**

As required per Aircraft



**Location:**

Actuation System -  
Fan Reverser Position 1 & Position 2