

NUT-SLFLKG

Turbine Kinetics Part Number 491B0700015-001KT

Middle River Aircraft Systems Part Number 491B0700015-001

[Next Higher Assembly Part : 491B1313000-029, 491C1313000-089](#)

- Fixed Structure Assy - LH, RH

Eligibility:

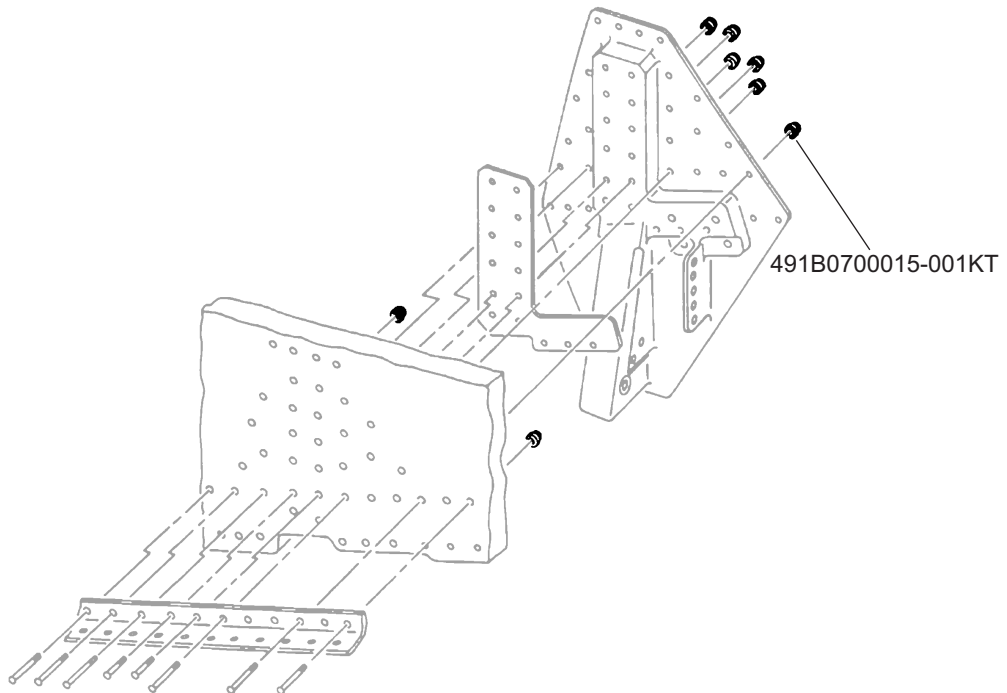
[See FAA-PMA Supplement](#)

IPC Reference:

CF6-80-78-32

Quantity:

From 1 to 40



Location:

Fixed Structure Assembly