

LATCH ASSEMBLY

Seal Dynamics Part Number 4541-1SD

Adams Rite Aerospace Part Number 4541-1

Next Higher Assembly Part : 413T1153-443SP,-444SP and 413T1173-19SP, -20SP, -331SP;
413T1173-35SP, -36SP and 413T1174-1035SP, -1036SP; 413T1173-491SP, -492SP and 413T1174-1491SP,-1492SP;
413T1173-31SP, -32SP, -1031SP and 413T1174-1031SP, -1032SP
- Bin Assy - Overhead Storage (44 In., 65 In., 34 In. & 22 In.)

Eligibility:

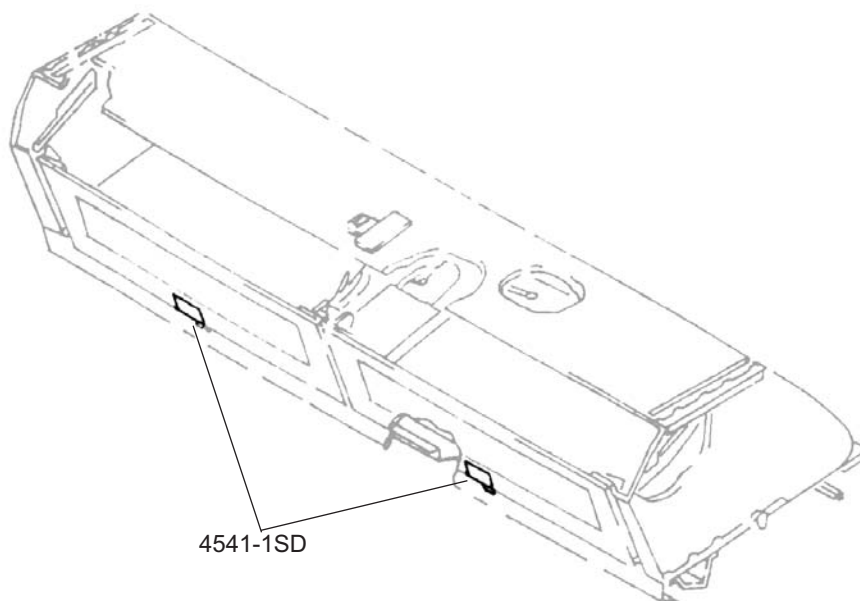
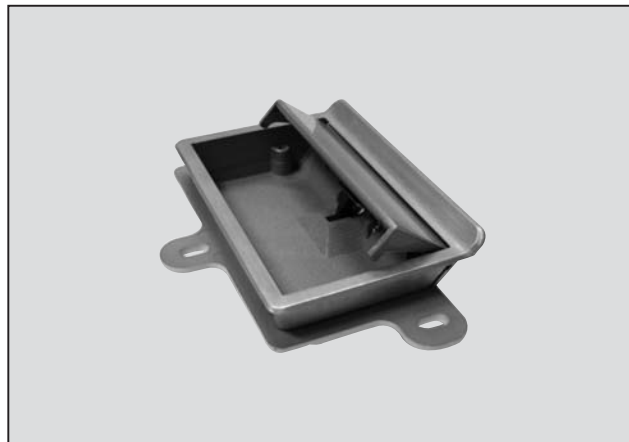
[See FAA-PMA Supplement](#)

IPC Reference:

B767-25-28

Quantity:

From 1 to 2



Location:

Bin Assy-81 In. Outbod Overhead Stowage
(Equipment / Furnishing Only)