

HEICO

RETURN TUBE

Seal Dynamics Part Number: 43764130-1Q

Honeywell Part Number: 43764130-1

Next Higher Assembly Part Number: 121210-1, -2, -3, -4 - Screw and Nut-Ball Bearing

Eligibility:

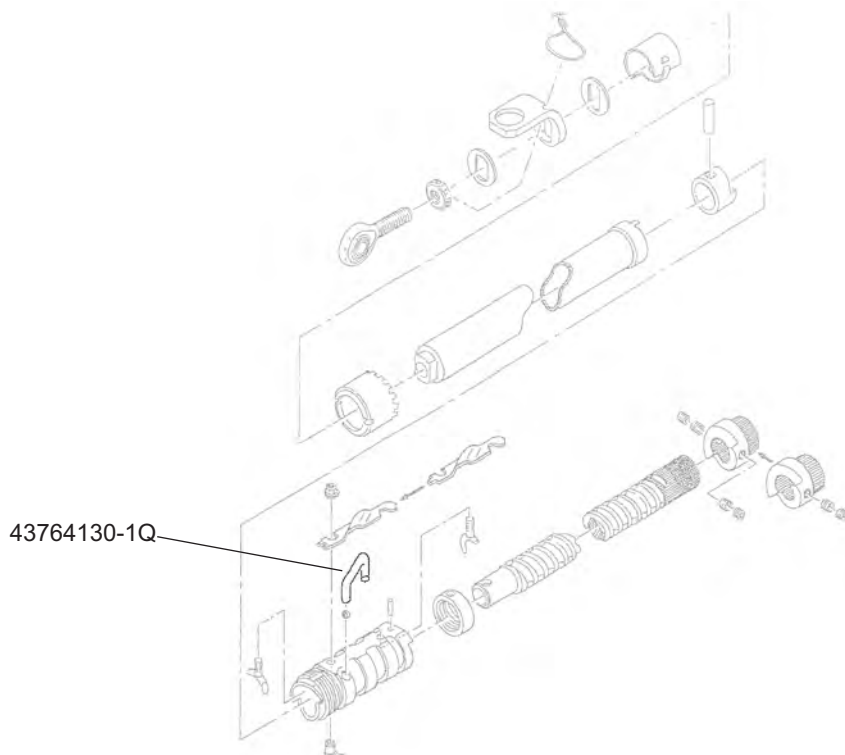
See FAA PMA Supplement

IPC Reference:

CF6-78-31

Quantity:

1 per NHA



Location:

Ball Bearing Type Screw and Nut