

RUB STRIP END

Turbine Kinetics Part Number 432W7101-6CKT

Boeing Part Number 432W7101-6C

[Next Higher assembly : F2549039500264, F2549034600064, F2549034500464, F2549039501264, F2549039501664, F2549034500864, F2549034600464, F2549039501864, F2549034501264, F2549039502064, F2549039503464](#)
- Wall-Side and Wall-Rear

Eligibility:

[See FAA-PMA Supplement](#)

IPC Reference:

A340-25-46, B747-25-33

B737-25-33, B767-25-33

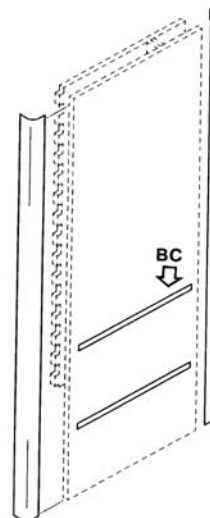
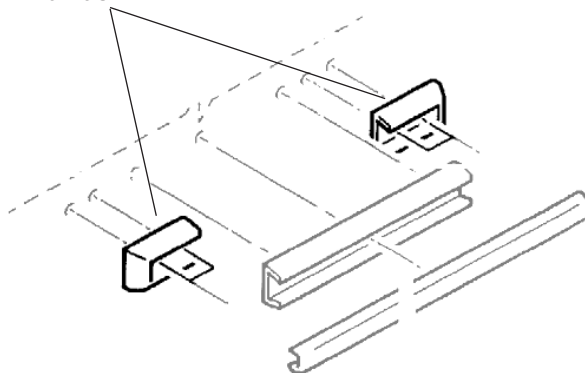
B777-25-33



Quantity:

8

432W7101-6CKT



Location:

Wall-Side and Wall-Rear