

## BOLT

Seal Dynamics Part Number 43-1276SD

Goodrich Part Number 43-1276

[Next Higher Assembly : 3-1428](#)  
[- Wheel Assy-MLG](#)

**Eligibility:**

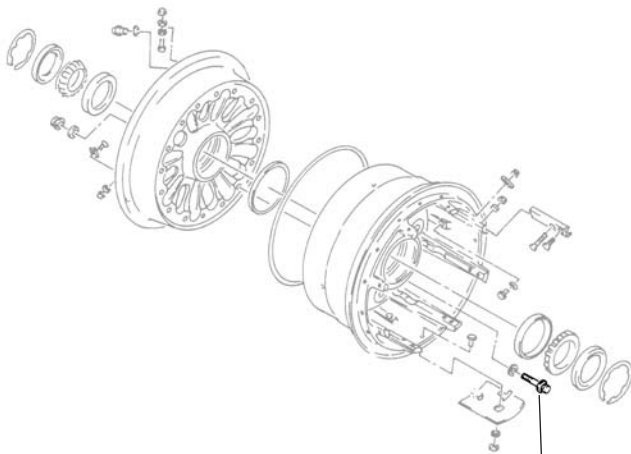
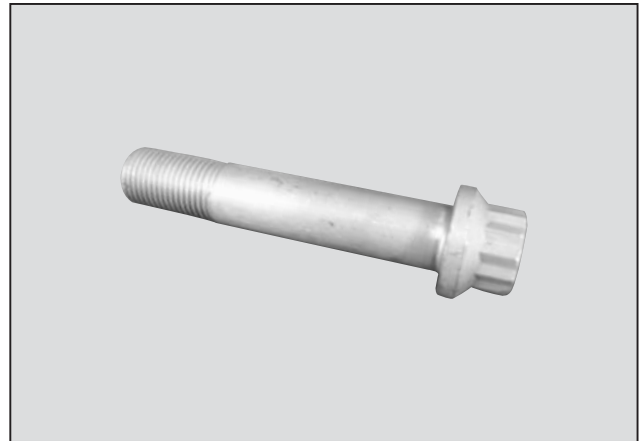
[See FAA-PMA Supplement](#)

**IPC Reference:**

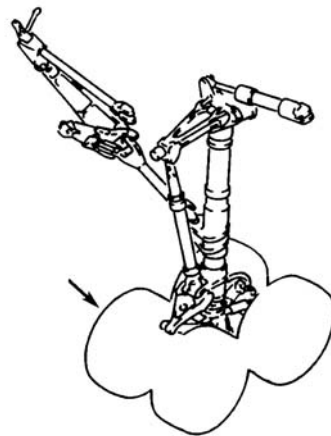
B757-32-45

**Quantity:**

16



43-1276SD



**Location:**

Wheel and Tire Assy-MLG