

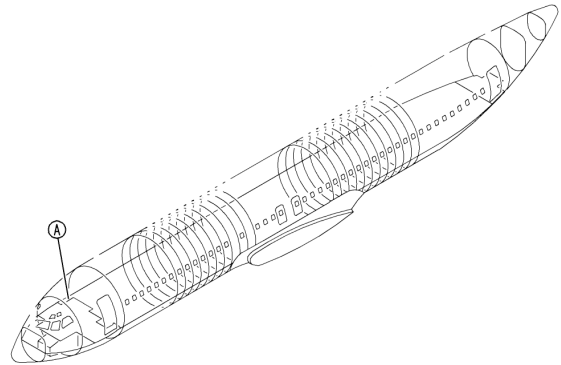
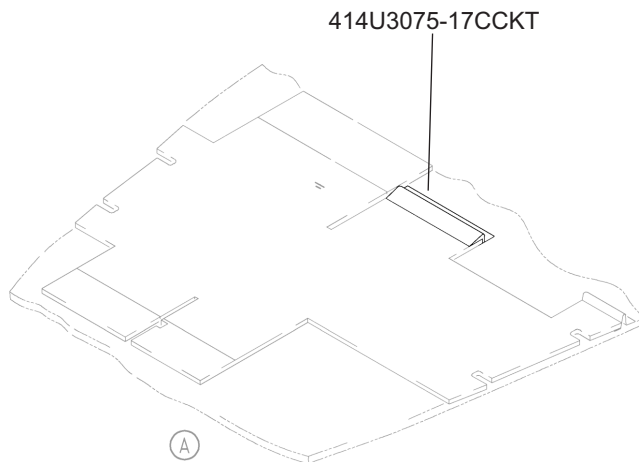
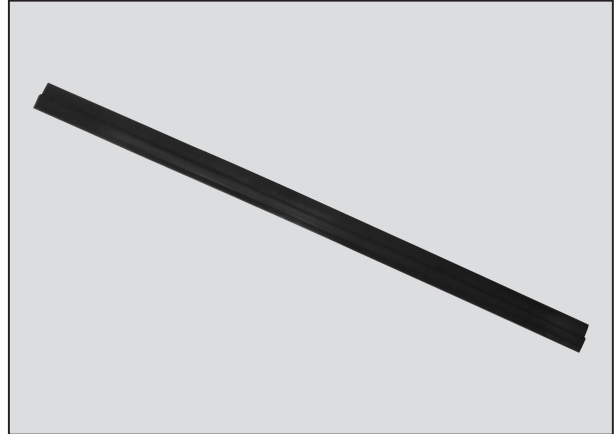
THRESHOLD

Turbine Kinetics Part Number 414U3075-17CCKT
Boeing Part Number 414U3075-17CC
[Next Higher Assembly : 414A3500-211CW](#)
[- Mat Instl-Galley and entryway](#)

Eligibility:
[See FAA-PMA Supplement](#)

IPC Reference:
B737-25-27
B757-25-27

Quantity:
1



Location:
Mat Instl-Galley and Entryway