

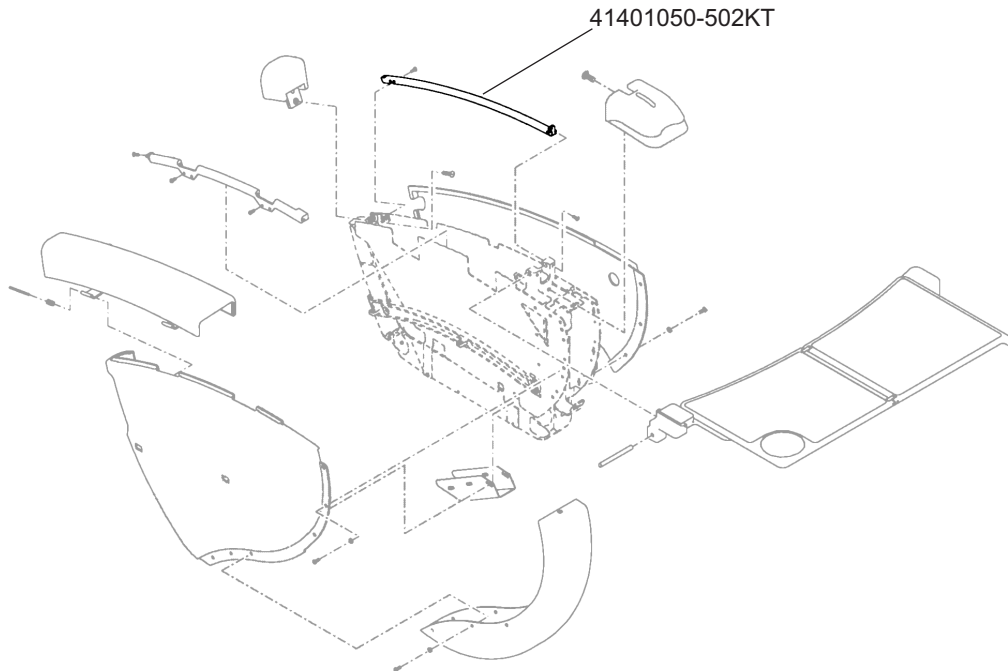
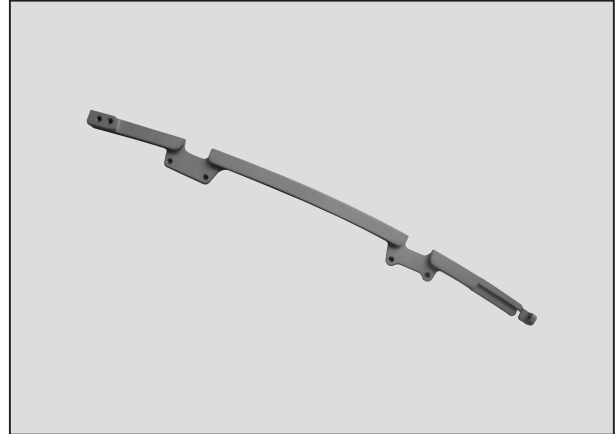
TRIM ARM, HINGED

Turbine Kinetics Part Number 41401050-502KT
4 Flight Industries Part Number 41401050-502
[Next Higher Assembly : 41402005-101; 41402005-103](#)
[- Seat Assembly First Class Single](#)

Eligibility:
[See FAA-PMA Supplement](#)

IPC Reference:
ERJ170-25-21
ERJ190-25-21

Quantity:
2



Location:
Passenger Seat Assembly, First Class, Single