

TRIM

Seal Dynamics Part Number 412A1452-7BSD

Boeing Part Number 412A1452-7B

[Next Higher Assembly Part :](#)
[- Stowage Bin](#)

Eligibility:

[See FAA-PMA Supplement](#)

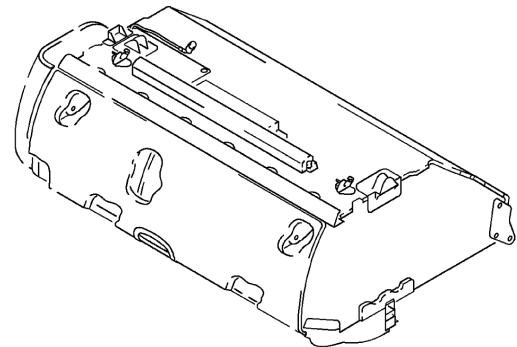
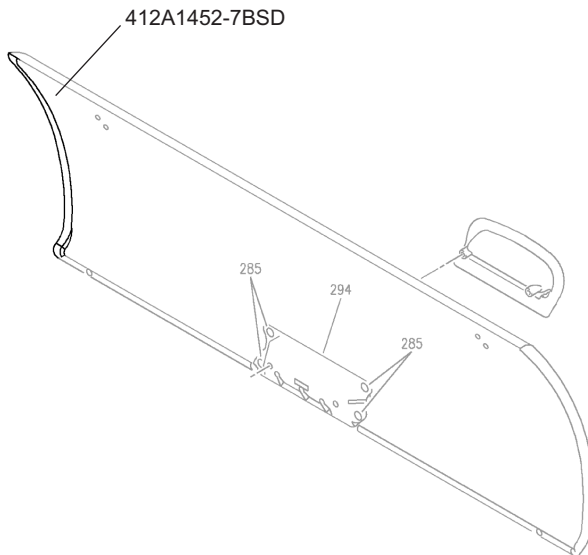
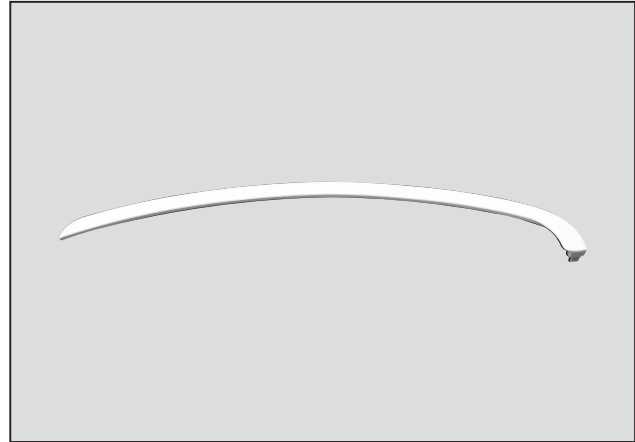
IPC Reference:

B737-25-24

B757-25-24

Quantity:

1



Location:

Top Assy - Fwd RH