

TRIM

Seal Dynamics Part Number 412A1452-3BSD, -4BSD, -5BSD, -6BSD

Boeing Part Number 412A1452-3B, -4B, -5B, -6B

Next Higher Assembly Part :
- Stowage Bin

Eligibility:

[See FAA-PMA Supplement](#)

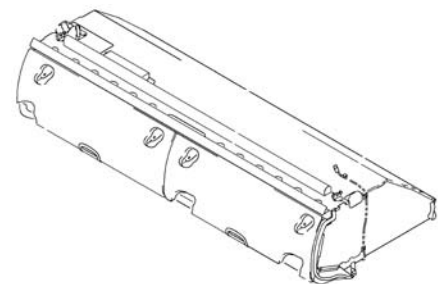
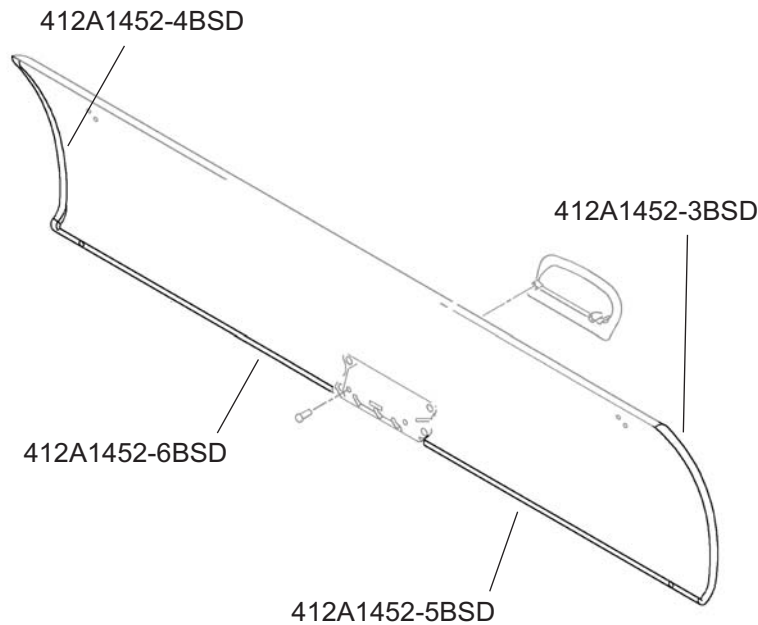
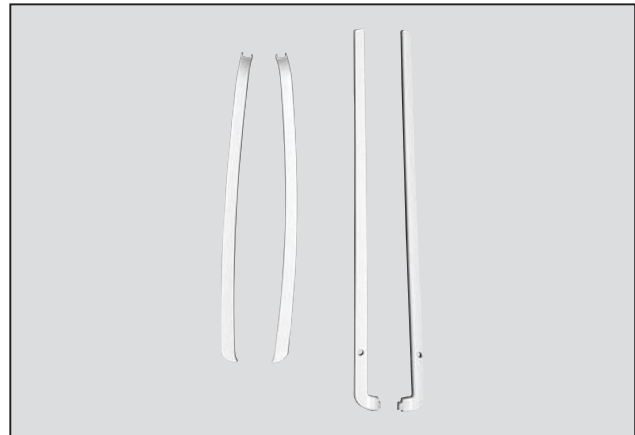
IPC Reference:

737-25-24

757-25-24

Quantity:

1



Location:

Top Assy - RH