

HEICO

GUIDE, TRANSFER TUBE

Jet Avion Part Number: 4100986-4JA

Triumph Actuation Systems Part Number: 4100986-4

Next Higher Assembly Part Number: 4101002-9, 4101002-11 - Power Transfer Unit (PTU)

Eligibility:

[See FAA PMA Supplement](#)

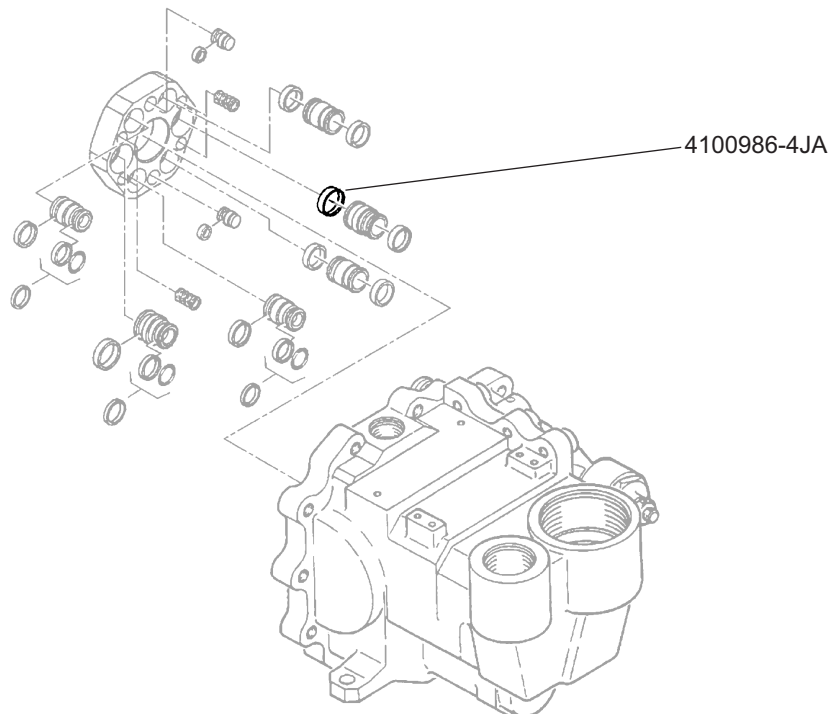
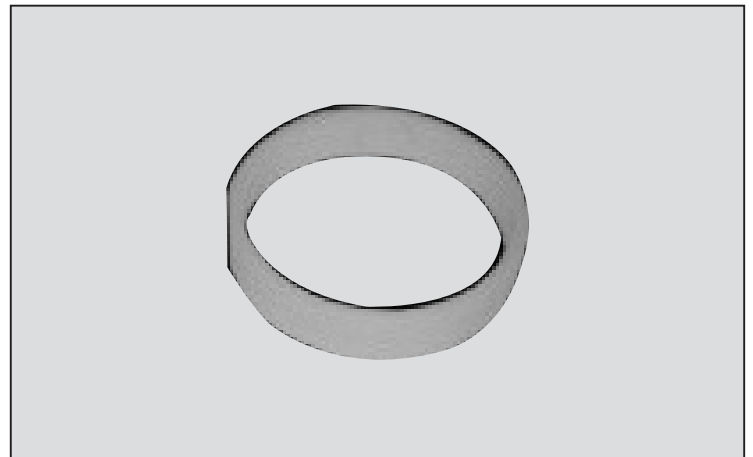
IPC Reference:

A318-29-11, A319-29-11

A320-29-11, A321-29-11

Quantity:

1 per NHA



Location:

Variable Housing Port Plate