

O-RING

Seal Dynamics Part Number 403039-45SD

Parker Hannifin Part Number 403039-25

Next Higher Assembly : 145-38030-401, 145-34438-411, -425
- Tube Assembly

Eligibility:

See FAA-PMA Supplement

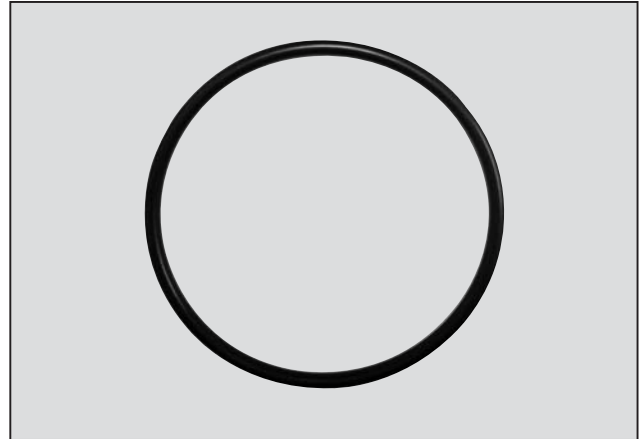
IPC Reference:

EMB 135-36-12

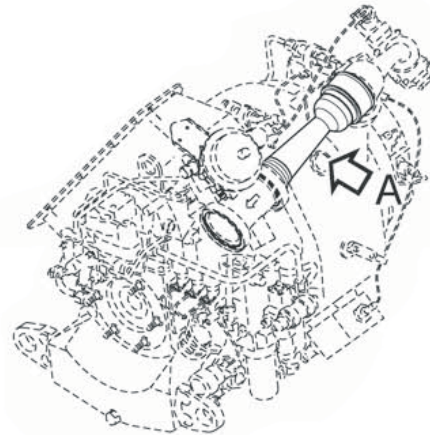
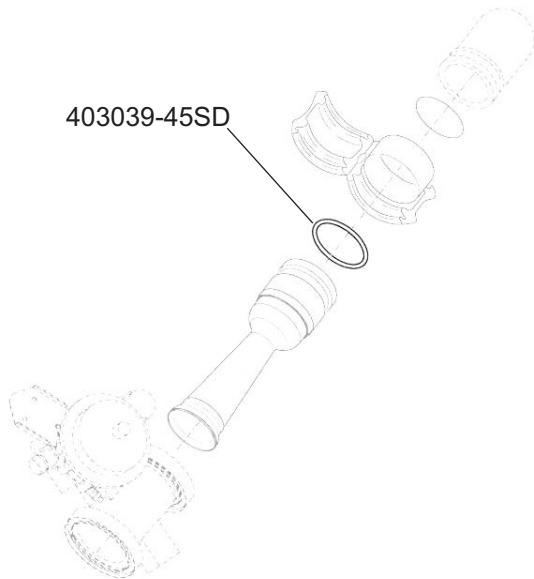
EMB 145-36-12

Quantity:

2



A



Location:

Engine Bleed Air Sys Instl, APU