

WASHER, THRUST, SHOULDERED

Seal Dynamics Part Number 3507162-1SD

Honeywell Part Number 3507162-1

[Next Higher Assembly Part : 3505945-3,-4,-5,-6,-7,-8](#)
[- Starter Assembly - Engine Air Turbine](#)

Eligibility:

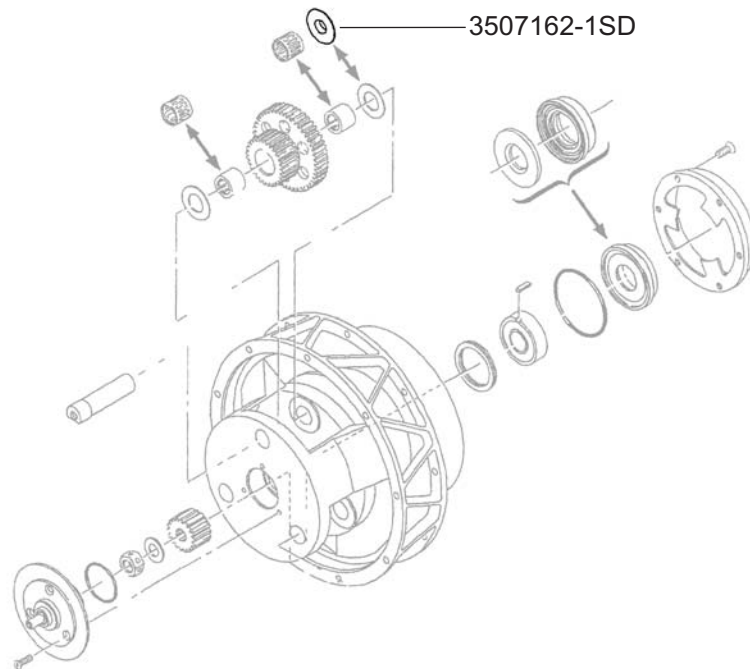
[See FAA-PMA Supplement](#)

IPC Reference:

CFM56-7B-80-11

Quantity:

3



Location:

Diffuser Assembly