

HEICO

SHAFT, SHOULDER OUTPUT

Seal Dynamics Part Number: 3238416-1Q

Honeywell Part Number: 3238416-1

Next Higher Assembly Part Number: 3272604-2 - Gearbox-Ballscrew

Eligibility:

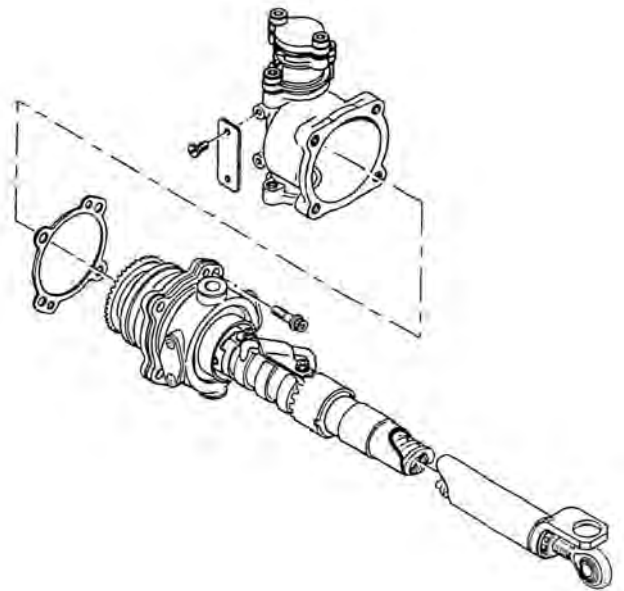
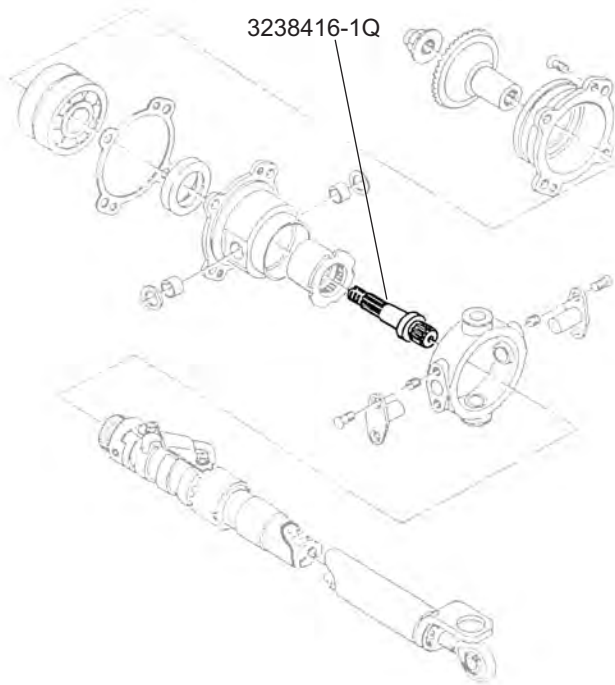
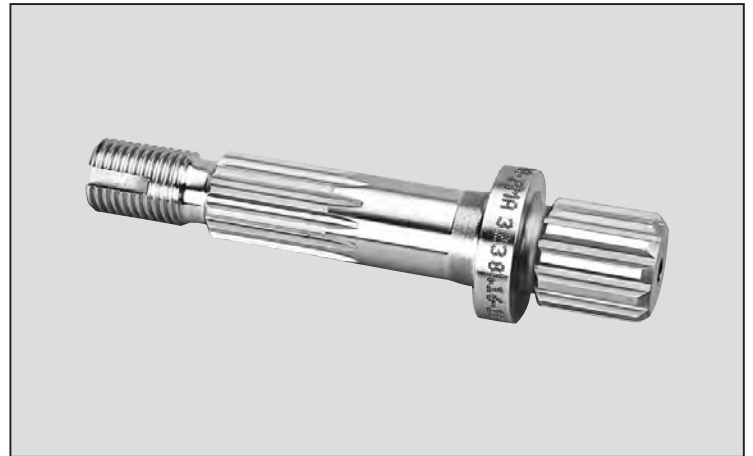
[See FAA PMA Supplement](#)

IPC Reference:

CF6-78-32

Quantity:

1 per NHA



Location:

Ballscrew-Gearbox Assembly