

RETAINER - BOOT

Seal Dynamics Part Number 3236050-1SD

Honeywell Part Number 3236050-1

[Next Higher Assembly Part : 121666-13, -14, -17, -19, -21](#)
[- Actuator - Master Ballscrew](#)

Eligibility:

[See FAA-PMA Supplement](#)

IPC Reference:

CFM56-2-75-31

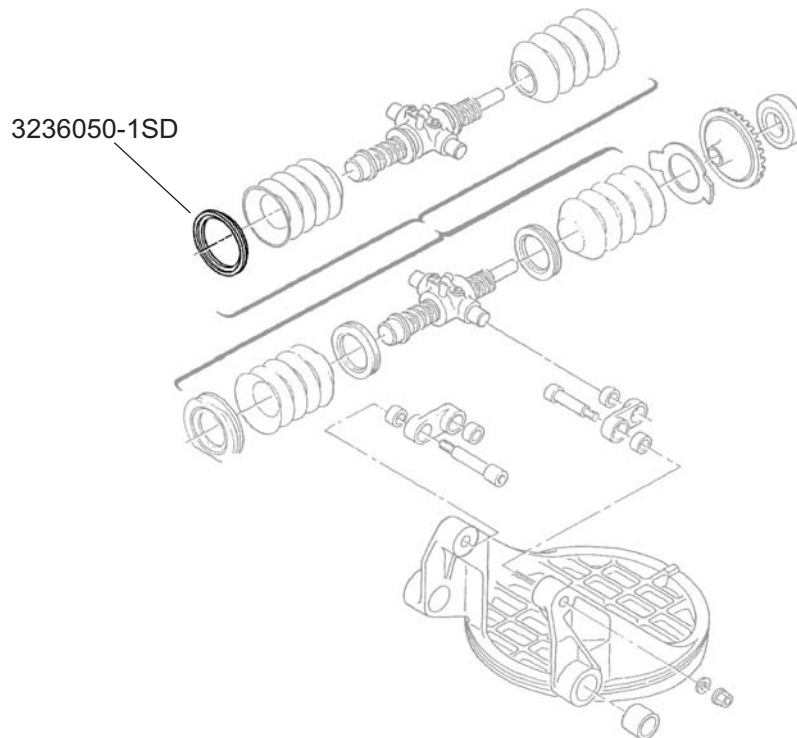
CFM56-3-75-31

CFM56-5-75-31



Quantity:

1



Location:

Ballscrew, Plate Valve and Linkage Assy