

HEICO

BRACKET ASSY-PIN (RH SIDE)

Turbine Kinetics Part Number: 321-369-351-0KT

Goodrich Part Number: 321-369-351-0

Next Higher Assembly Part Number: 321-310-061-0, 321-361-651-6, 321-310-062-0, -063-0, 321-360-059-0, -060-0, 321-360-062-0, -063-0, -064-0 - Door Assy-Pivoting Upper (RH), Fitting Assy-Pivot (RH), Door Assy

Eligibility:

[See FAA PMA Supplement](#)

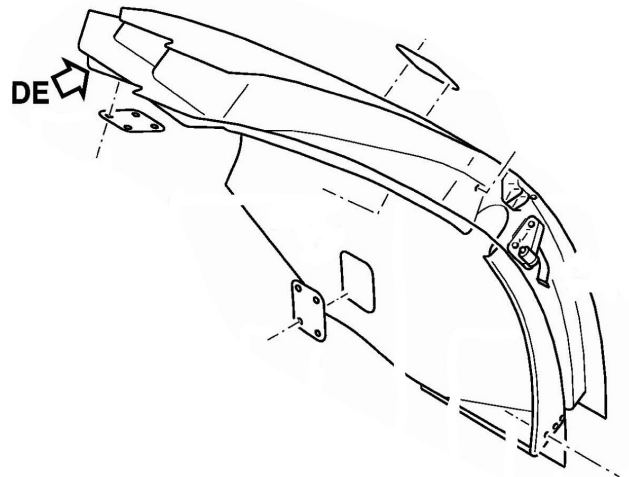
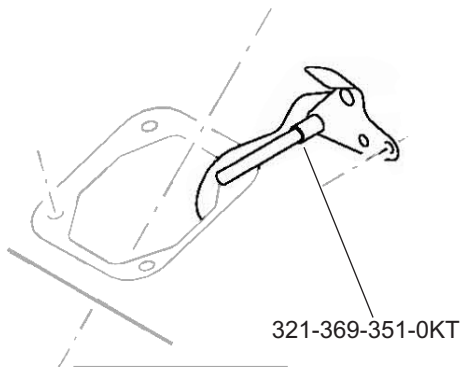
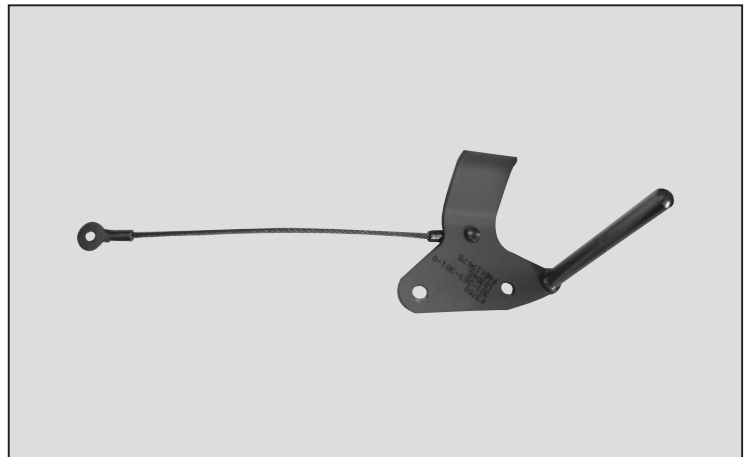
IPC Reference:

A318-78-32, A319-78-32

A320-78-32, A321-78-32

Quantity:

From 3 to 4 per Aircraft



Location:

Doors Instl-Pivoting