

HEICO

SUPPORT-FAN DOOR

Turbine Kinetics Part Number: 321-215-501-0KT

Goodrich Part Number: 321-215-501-0

Eligibility:

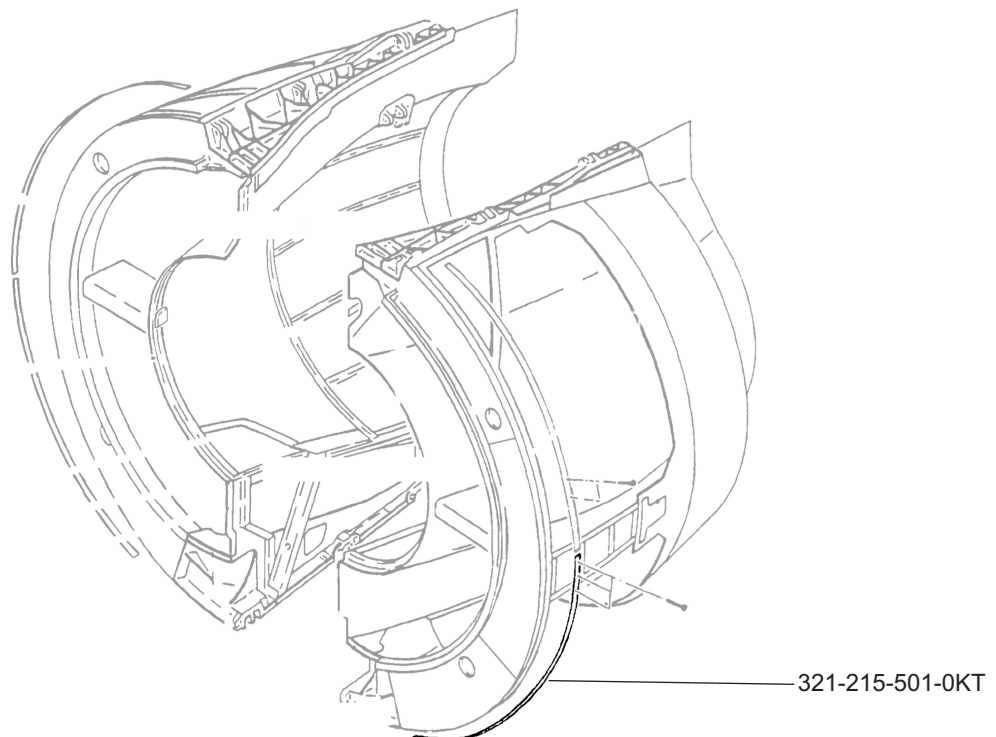
[See FAA PMA Supplement](#)

IPC Reference:

CFM56-78-32

Quantity:

1



Location:

Door Reverser Half