

SEAL, UPPER STRUT (LH AND RH SIDE)

Seal Dynamics Part Number 321-100-300-0SD, 321-100-350-0SD

Goodrich Part Number 321-100-300-0, 321-100-350-0

Next Higher Assembly Part : 321-030-006-0, -008-0 thru -011-0, -015-0, -016-0, -018-0 thru -024-0
321-030-006-026-0, -027-0, -028-0, -031-0; 321-050-028-0, -029-0, -030-0, -032-0
- Door Assembly – Reverser (LH), Door Assembly – Reverser (RH)

Eligibility:

[See FAA-PMA Supplement](#)

IPC Reference:

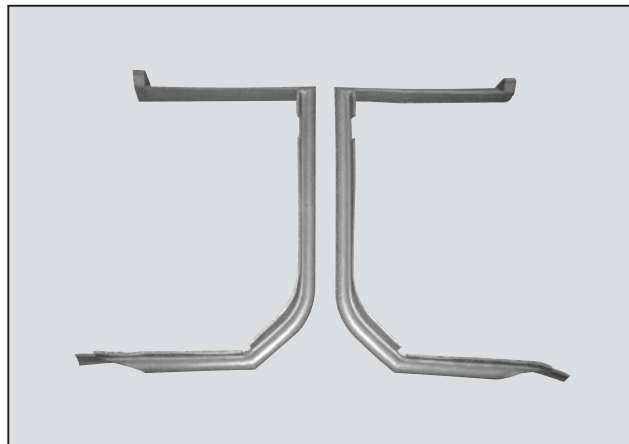
A319-78-32

A320-78-32

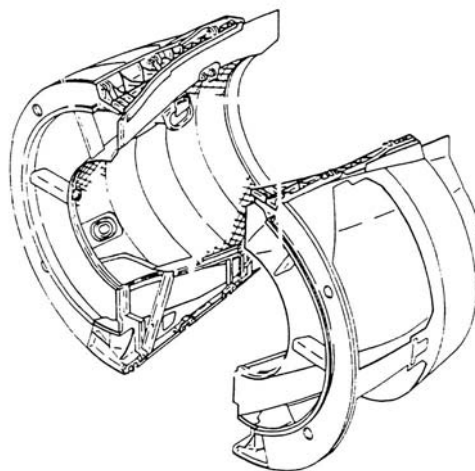
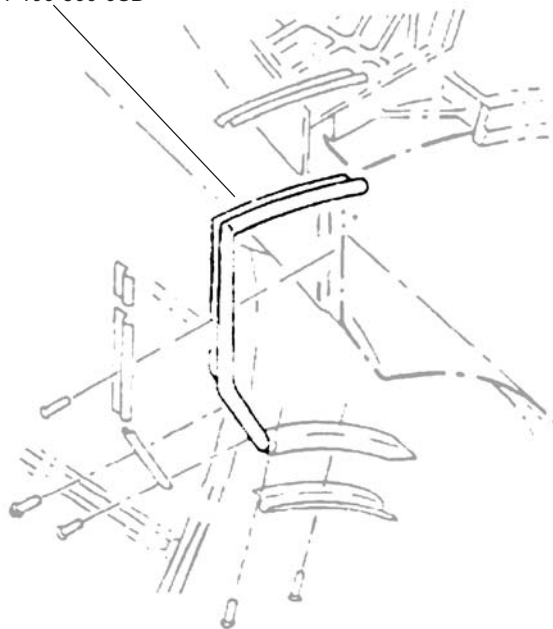
A321-78-32

Quantity:

1



321-100-300-0SD



Note: 321-100-350-0SD is not illustrated in IPC

Location:

Door-Reverser Half