

SEAL ASSEMBLY

Seal Dynamics Part Number 3179511-1SD

Honeywell Part Number 3179511-1

[Next Higher Assembly Part : 3291186-6](#)

[- High Pressure Turbine Clearance Valve](#)

Eligibility:

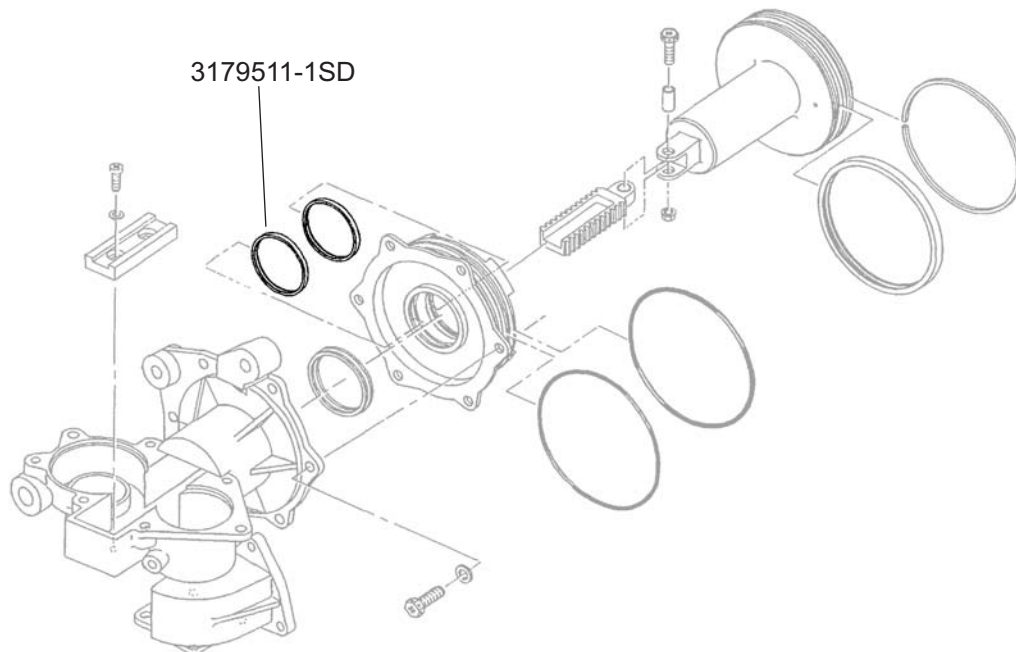
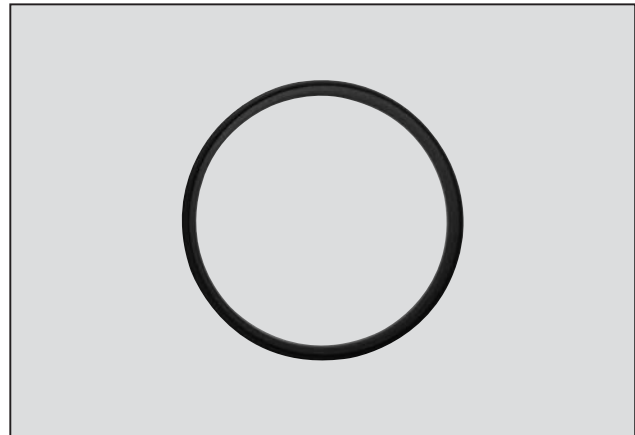
[See FAA-PMA Supplement](#)

IPC Reference:

CFM56-7B-75-22

Quantity:

2



Location:

LVDT and Piston Assembly