

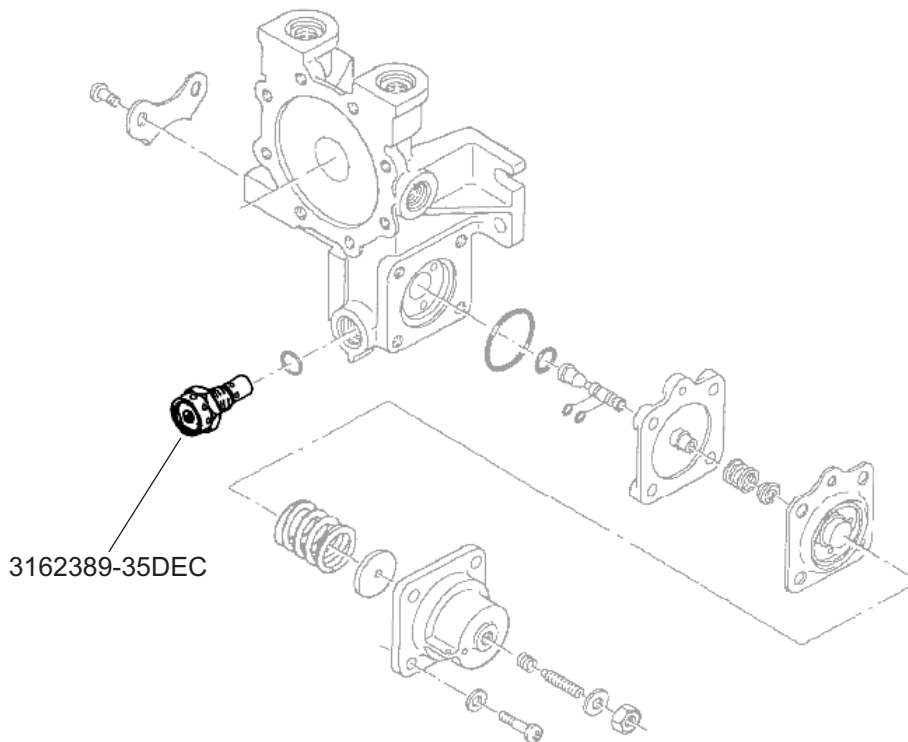
VALVE ASSEMBLY - RELIEF

Turbine Kinetics Part Number 3162389-35DEC
Honeywell Part Number 3162389-35
[Next Higher Assembly Part : 107492-6](#)
[- Bleed Air Regulator](#)

Eligibility:
[See FAA-PMA Supplement](#)

IPC Reference:
B737-36-11

Quantity:
As required



Location:
Reference Pressure Regulator