

### LENS ASSEMBLY

Seal Dynamics Part Number 31-1816-1SD, 31-1816-2SD

Honeywell Part Number 31-1816-1, 31-1816-2

Next Higher Assembly Part : 30-0627-3, Light - Red, Wing Position (LH)  
- 30-0627-4 - Light - Green, Wing Position (RH)

**Eligibility:**

[See FAA-PMA Supplement](#)

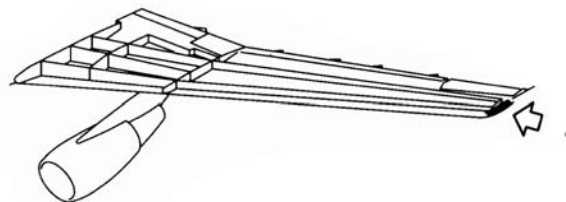
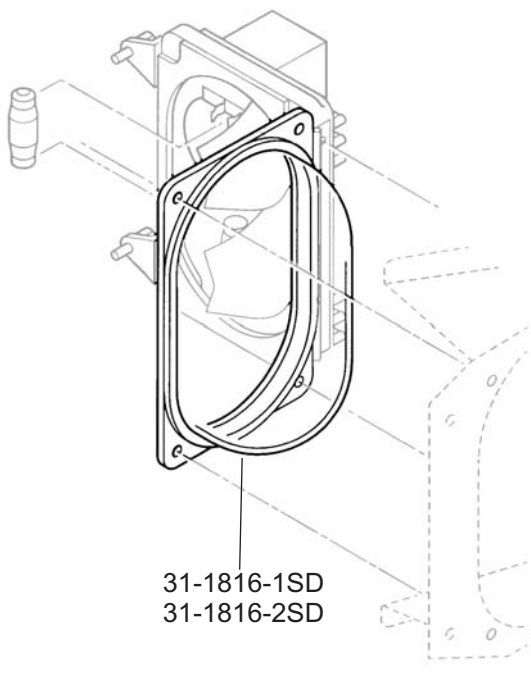
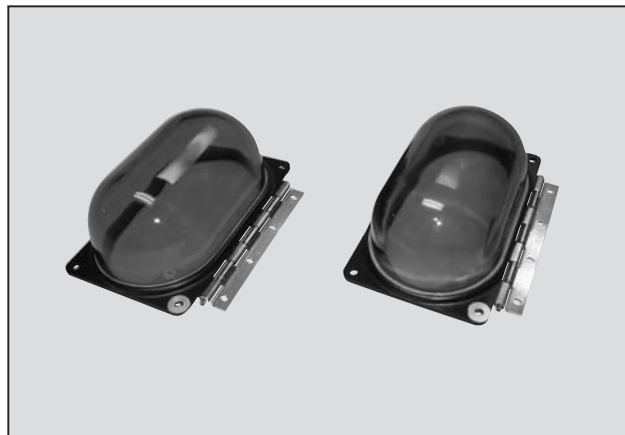
**IPC Reference:**

A300-33-41

A310-33-41

**Quantity:**

1



**Location:**

Light Instl - Navigation