

# HEICO

## SEAL, TRAPEZOIDAL

Turbine Kinetics Part Number: 3051-1050DEC

Woodward Aircraft Engine Systems Part Number: 3051-1050

Next Higher Assembly Part Number: 8061-531, -532, -533, -534, -535, -536 - Fuel Control, Hydromechanical

**Eligibility:**

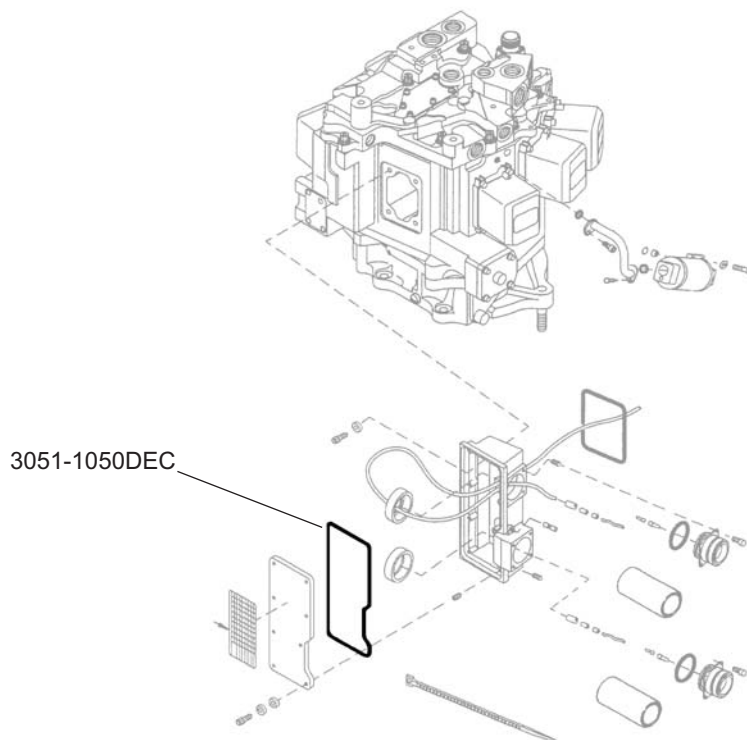
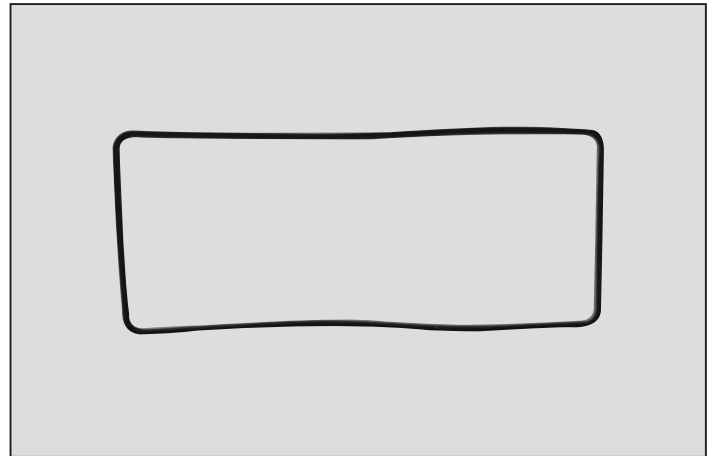
[See FAA PMA Supplement](#)

**IPC Reference:**

CFM56-73-21

**Quantity:**

1 per Engine



**Location:**

Hydromechanical Fuel Control