

HEICO

SEAL ASSY-TEE RH

Turbine Kinetics Part Number: 290-1220-502KT

Goodrich Part Number: 290-1220-502

Next Higher Assembly Part Number: 290-1206-501 - Seal Instl

Eligibility:

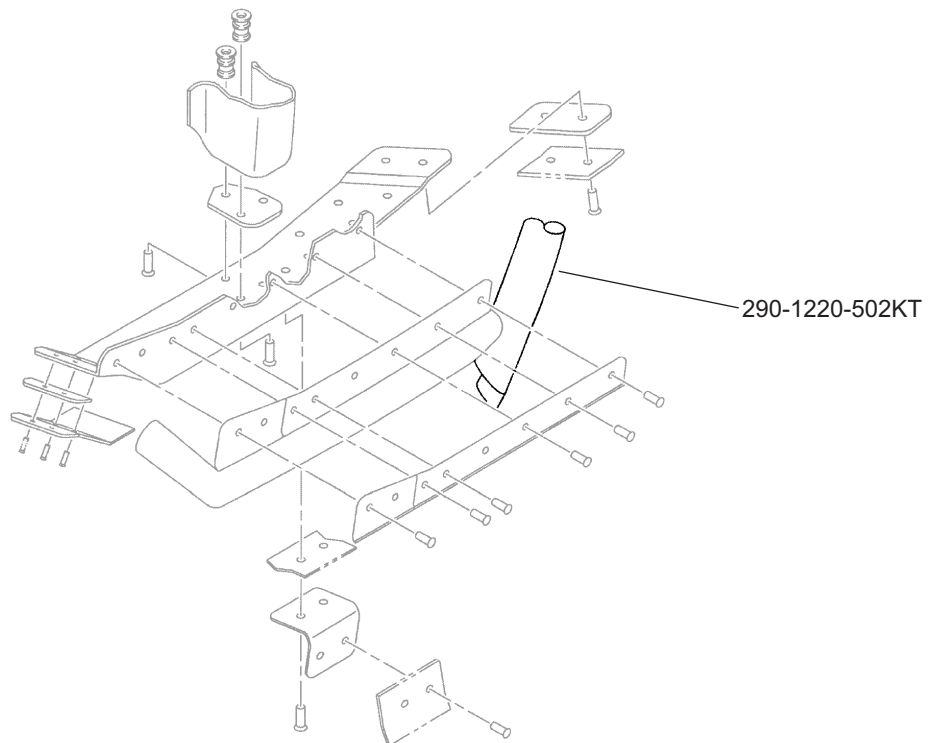
[See FAA PMA Supplement](#)

IPC Reference:

V2500-78-11

Quantity:

1 per Engine



Location:

Seal Installation