

# HEICO

## SEAL ASSY-TEE LH

**Turbine Kinetics Part Number: 290-1220-501KT**

**Goodrich Part Number: 290-1220-501**

Next Higher Assembly Part Number: 290-1206-501 - Seal Instl

**Eligibility:**

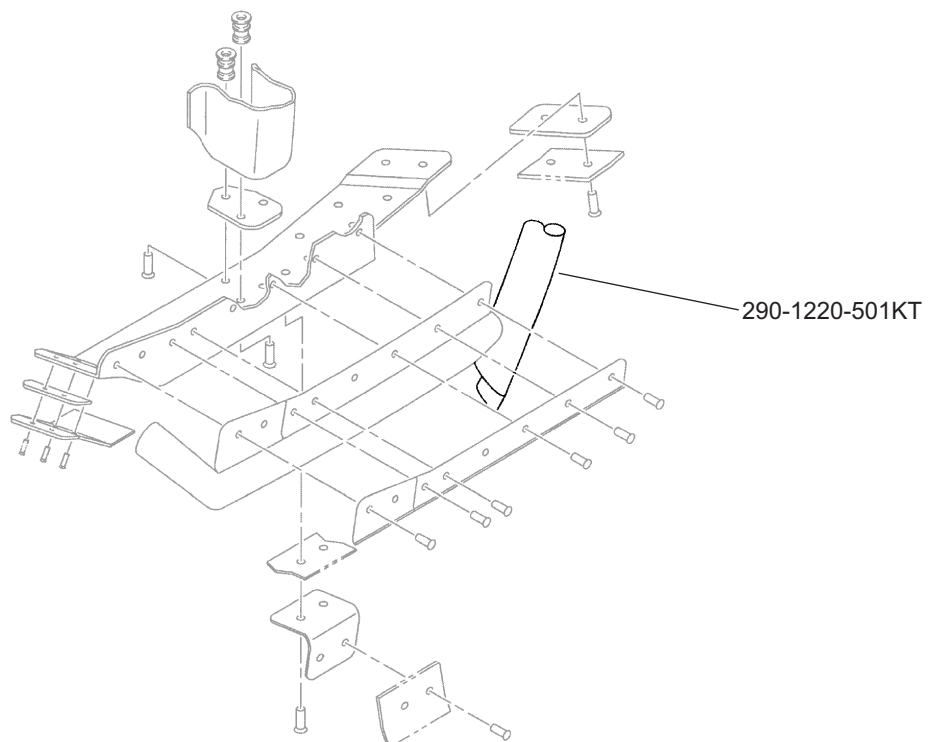
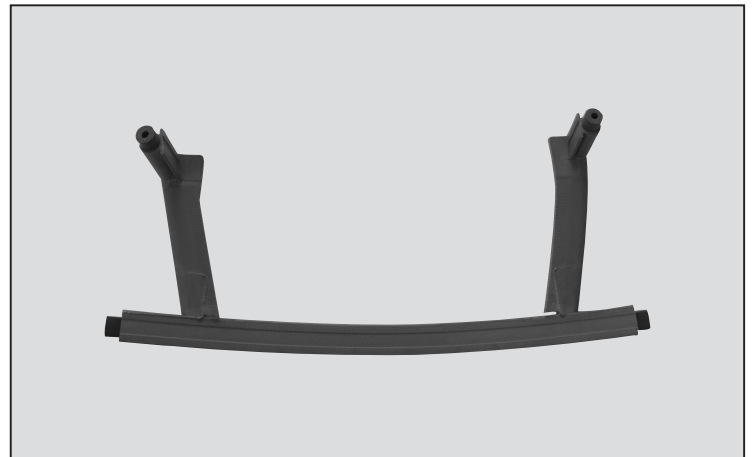
[See FAA PMA Supplement](#)

**IPC Reference:**

V2500-78-11

**Quantity:**

1 per Engine



**Location:**

Seal Installation