

HEICO

SEAL - (LWR RH SIDE)

Seal Dynamics Part Number: 290-0929-504SD

Goodrich Part Number: 290-0929-504

Next Higher Assembly Part Number: 290-0136-510 - Track Instl Lower RH

Eligibility:

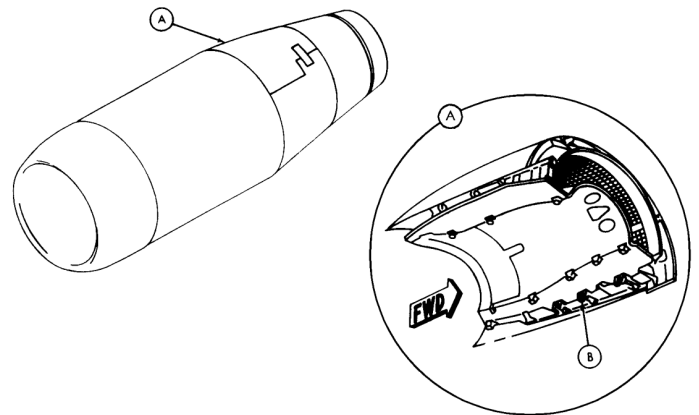
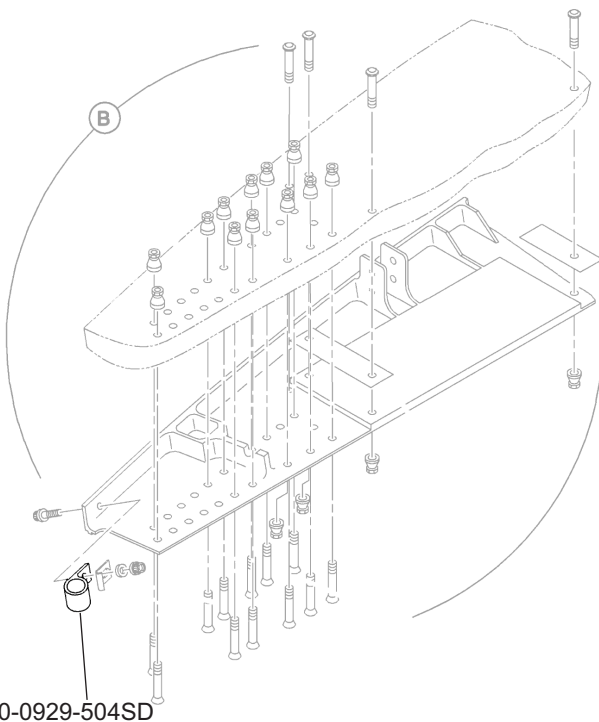
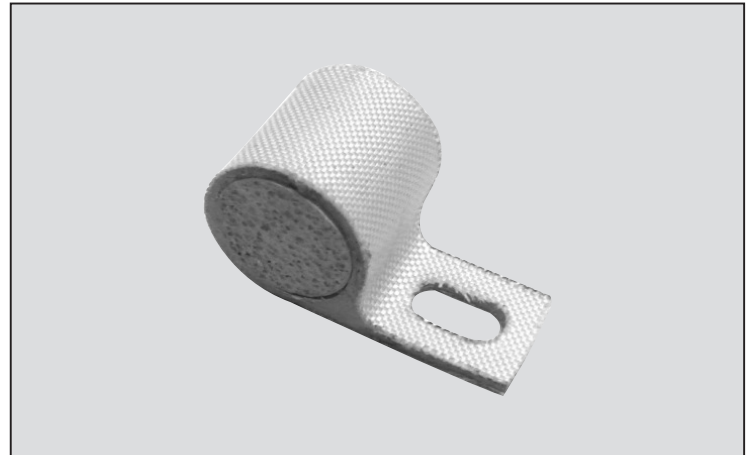
[See FAA PMA Supplement](#)

IPC Reference:

MD-90-78-30

Quantity:

1 per unit



Location:

Track Instl-Outboard Lower