

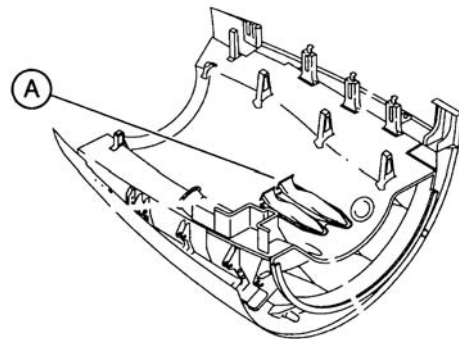
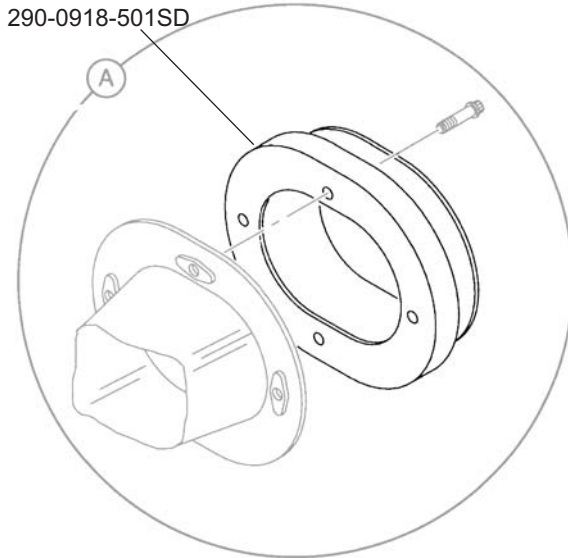
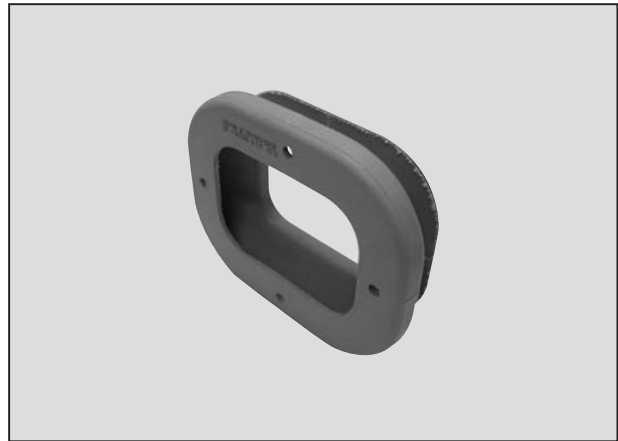
## SEAL ASSY HPT

Seal Dynamics Part Number 290-0918-501SD  
Goodrich Part Number 290-0918-501  
[Next Higher assembly : 290-0051-509](#)  
[- Duct Instl-ACC](#)

**Eligibility:**  
[See FAA-PMA Supplement](#)

**IPC Reference:**  
MD-90-78-30

**Quantity:**  
1



**Location:**  
Duct Instl-ACC